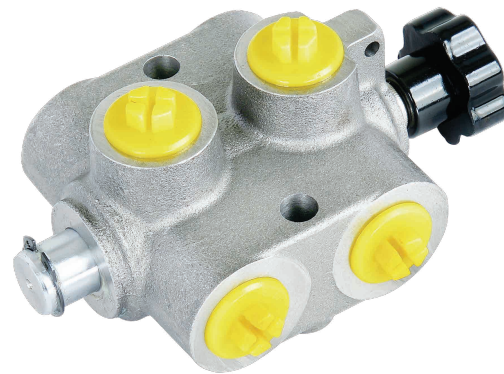
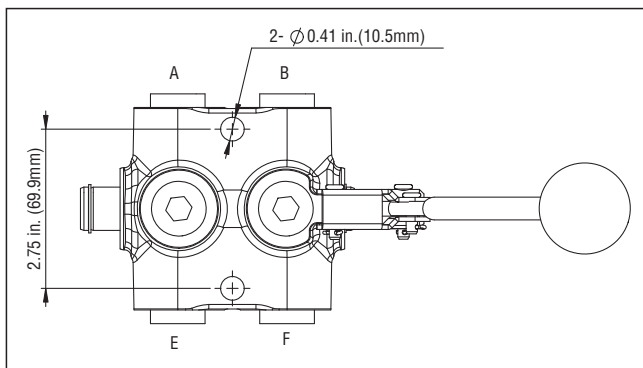
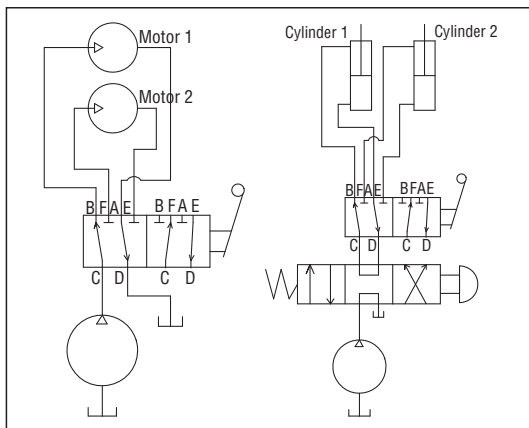


DOUBLE SELECTOR VALVE

- High tensile strength gray cast iron
- Hard chrome plated spools
- Max. Working Pressure: 3000psi
- Max. Capacity: 20-30 GPM
- 6-Way, 2-Position Selector valve
- Lever Handle for easily operation. (Knob is available)
- Port Size: 3/8NPT ;1/2NPT ;#6 SAE ;#8 SAE
- Spool Type: Selector,6-Way, 2-position
- Handle: Lever Handle(standard); KNOB



DS-AN31



Item No.	Port Size	Description	Weight
DS-AN31	3/8 NPT	Double Selector with Lever Handle	18 lbs
DS-AN32	3/8 NPT	Double Selector with KNOB	17 lbs
DS-AN41	1/2 NPT	Double Selector with Lever Handle	18 lbs
DS-AN42	1/2 NPT	Double Selector with KNOB	17 lbs
DS-AN61	3/4 NPT	Double Selector with Lever Handle	18 lbs
DS-AN62	3/4 NPT	Double Selector with KNOB	17 lbs
DS-AS61	SAE#6	Double Selector with Lever Handle	17 lbs
DS-AS62	SAE#6	Double Selector with KNOB	17 lbs
DS-AS81	SAE#8	Double Selector with Lever Handle	18 lbs
DS-AS82	SAE#8	Double Selector with KNOB	17 lbs