

HEAVY-DUTY TIE ROD HYDRAULIC CYLINDER - 3000PSI

DESIGNATION SAMPLE

T30 - 20 06 09 ASAE

T30

3,000 PSI TIE ROD HYDRAULIC CYLINDER

20

CYLINDER BORE 20,25,30,35 OR 40(EX.20=2.0")

06

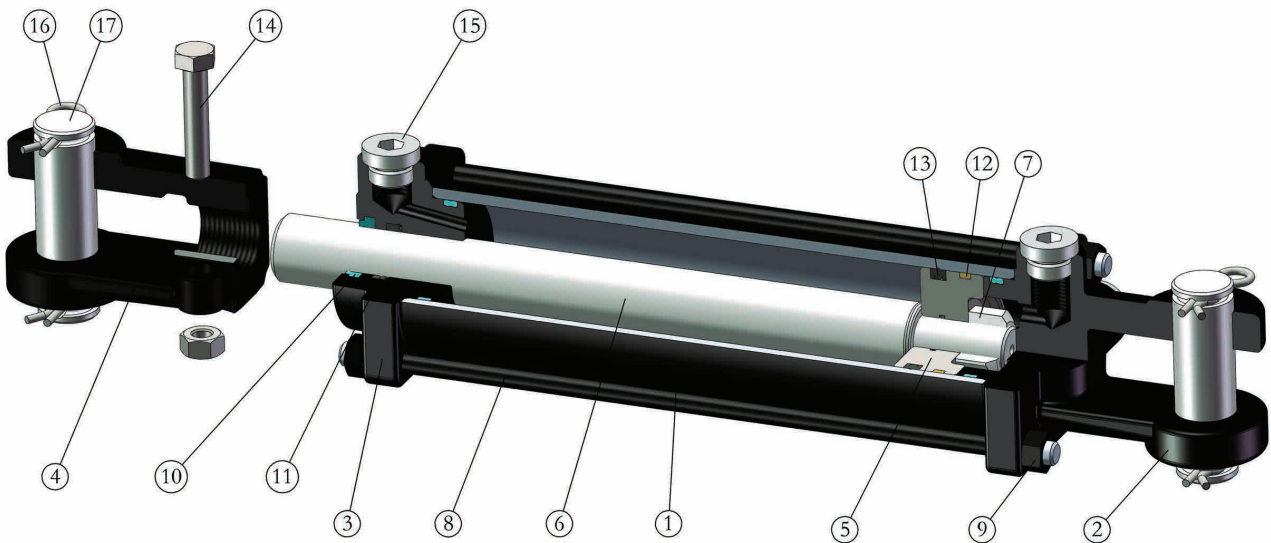
CYLINDER STROKE IN INCH

09

SHAFT DIAMETER 08,09,10,11,12,14,16,18,20(EX.08=1"=8/8")

ASAE

LONGER ROD EXTENSION THAN STANDARD CYLINDER



Part List

Item No.	Component	Material and feature	Q'TY
1	Cylinder tube	Honed tube provides better ductility	1
2	Clevis base end		1
3	Rod cap	Ductile iron provides excellent ductility and higher impact	1
4	Clevis rod end		1
5	Piston	Precision machined ductile iron provides a malleable bearing surface for extended cylinder life	1
6	Piston rod	C1045 high strength steel with hard chrome plated and precision ground & polished, 100hr salt spray tested	1
7	Piston nut	Heavy duty and high tensile steel holds piston in place under high cycle loading	1
8	Tie-rod	C1045 high tensile steel prevent failure under high pressure	4
9	Tie-rod nuts		8
10	Rod wiper	Heavy duty metal encased nitrile prevents contaminants from entering cylinder	1
11	Rod seal	Polyurethane u-cup double lip provides positive seal	1
12	Tube seal	90 durometer polyurethane "o" ring prevents leakage from cylinder	1
13	Piston seal	Compact seal prevents extrusion and provides excellent sealing under high pressure	1
14	Screw bolt	High tensile steel with zinc plated finish	1
15	Plug	Metal plug	3
16	Pin clips	High tensile steel with zinc plated finish	4
17	Pins		2

HEAVY-DUTY TIE ROD HYDRAULIC CYLINDER - 3000PSI

- Double-acting application
- 3,000 PSI model is designed to withstand shock loads of up to 6,000 PSI
- Durable ductile iron cast components
- Ideal for agricultural and industrial application
- Customized Tie-Rod cylinder can be made by request



ASAE Standard Cylinder

Item No.	Bore	Stroke	Shaft	Retracted Length	Ports	Pin Dia	Weight
T30200809-ASAE	2"	8"	1-1/8"	20-1/4"	SAE-8	1"	20.0 lbs
T30250809-ASAE	2-1/2"	8"	1-1/8"	20-1/4"	SAE-8	1"	23.2 lbs
T30300810-ASAE	3"	8"	1-1/4"	20-1/4"	SAE-8	1"	28.0 lbs
T30301612-ASAE	3"	16"	1-1/2"	31-1/2"	SAE-8	1-1/4"	41.0 lbs
T30350810-ASAE	3-1/2"	8"	1-1/4"	20-1/4"	SAE-8	1"	37.1 lbs
T30351612-ASAE	3-1/2"	16"	1-1/2"	31-1/2"	SAE-8	1-1/4"	51.0 lbs
T30400811-ASAE	4"	8"	1-3/8"	20-1/4"	SAE-8	1"	44.0 lbs
T30401614-ASAE	4"	16"	1-3/4"	31-1/2"	SAE-8	1-1/4"	64.0 lbs

NONE-ASAE Standard Cylinder

2" Bore Cylinder

Item No.	Bore	Stroke	Shaft	Retracted Length	Ports	Pin Dia	Weight
T30200609	2"	6"	1-1/8"	16-1/4"	SAE-8	1"	19.0 lbs
T30200809	2"	8"	1-1/8"	18-1/4"	SAE-8	1"	19.7 lbs
T30201009	2"	10"	1-1/8"	20-1/4"	SAE-8	1"	21.4 lbs
T30201209	2"	12"	1-1/8"	22-1/4"	SAE-8	1"	23.1 lbs
T30201409	2"	14"	1-1/8"	24-1/4"	SAE-8	1"	24.8 lbs
T30201609	2"	16"	1-1/8"	26-1/4"	SAE-8	1"	26.5 lbs
T30201809	2"	18"	1-1/8"	28-1/4"	SAE-8	1"	28.2 lbs
T30202009	2"	20"	1-1/8"	30-1/4"	SAE-8	1"	29.9 lbs
T30202409	2"	24"	1-1/8"	34-1/4"	SAE-8	1"	33.3 lbs
T30203009	2"	30"	1-1/8"	40-1/4"	SAE-8	1"	38.3 lbs
T30203609	2"	36"	1-1/8"	46-1/4"	SAE-8	1"	43.3 lbs
T25206010	2"	60"	1-1/4"	70-1/4"	SAE-8	1"	72.0 lbs

2-1/2" Bore Cylinder

Item No.	Bore	Stroke	Shaft	Retracted Length	Ports	Pin Dia	Weight
T30250609	2-1/2"	6"	1-1/8"	16-1/4"	SAE-8	1"	21.0 lbs
T30250809	2-1/2"	8"	1-1/8"	18-1/4"	SAE-8	1"	23.0 lbs
T30251009	2-1/2"	10"	1-1/8"	20-1/4"	SAE-8	1"	25.0 lbs
T30251209	2-1/2"	12"	1-1/8"	22-1/4"	SAE-8	1"	27.0 lbs
T30251610	2-1/2"	16"	1-1/4"	26-1/4"	SAE-8	1"	32.0 lbs
T30251810	2-1/2"	18"	1-1/4"	28-1/4"	SAE-8	1"	34.0 lbs
T30252010	2-1/2"	20"	1-1/4"	30-1/4"	SAE-8	1"	36.0 lbs
T30252410	2-1/2"	24"	1-1/4"	34-1/4"	SAE-8	1"	40.0 lbs
T30253010	2-1/2"	30"	1-1/4"	40-1/4"	SAE-8	1"	46.5 lbs
T30253610	2-1/2"	36"	1-1/4"	46-1/4"	SAE-8	1"	53.0 lbs
T30254810	2-1/2"	48"	1-1/4"	58-1/4"	SAE-8	1"	61.0 lbs
T30256010	2-1/2"	60"	1-1/4"	70-1/4"	SAE-8	1"	73.0 lbs

HEAVY-DUTY TIE ROD HYDRAULIC CYLINDER - 3000PSI

NONE-ASAE Standard Cylinder

3" Bore Cylinder

Item No.	Bore	Stroke	Shaft	Retracted Length	Ports	Pin Dia	Weight
T30300610	3"	6"	1-1/4"	16-1/4"	SAE-8	1"	24.7 lbs
T30300810	3"	8"	1-1/4"	18-1/4"	SAE-8	1"	27.0 lbs
T30301010	3"	10"	1-1/4"	20-1/4"	SAE-8	1"	29.3 lbs
T30301210	3"	12"	1-1/4"	22-1/4"	SAE-8	1"	31.6 lbs
T30301612	3"	16"	1-1/2"	26-1/4"	SAE-8	1"	36.9 lbs
T30301812	3"	18"	1-1/2"	28-1/4"	SAE-8	1"	39.4 lbs
T30302012	3"	20"	1-1/2"	30-1/4"	SAE-8	1"	41.9 lbs
T30302412	3"	24"	1-1/2"	34-1/4"	SAE-8	1"	46.9 lbs
T30303012	3"	30"	1-1/2"	40-1/4"	SAE-8	1"	54.4 lbs
T30303612	3"	36"	1-1/2"	46-1/4"	SAE-8	1"	61.9 lbs
T30304812	3"	48"	1-1/2"	58-1/4"	SAE-8	1"	69.4 lbs
T30306012	3"	60"	1-1/2"	70-1/4"	SAE-8	1"	76.9 lbs

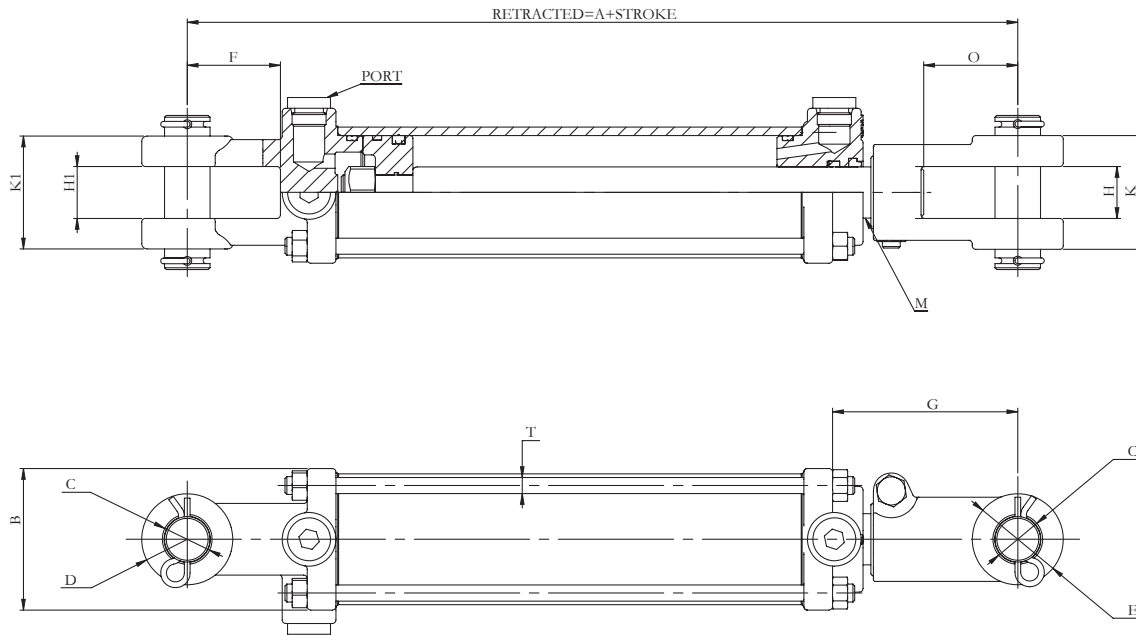
3-1/2" Bore Cylinder

Item No.	Bore	Stroke	Shaft	Retracted Length	Ports	Pin Dia	Weight
T30350610	3-1/2"	6"	1-1/4"	16-1/4"	SAE-8	1"	31.2 lbs
T30350810	3-1/2"	8"	1-1/4"	18-1/4"	SAE-8	1"	34.2 lbs
T30351010	3-1/2"	10"	1-1/4"	20-1/4"	SAE-8	1"	37.2 lbs
T30351210	3-1/2"	12"	1-1/4"	22-1/4"	SAE-8	1"	40.2 lbs
T30351612	3-1/2"	16"	1-1/2"	26-1/4"	SAE-8	1"	47.2 lbs
T30351812	3-1/2"	18"	1-1/2"	28-1/4"	SAE-8	1"	50.4 lbs
T30352012	3-1/2"	20"	1-1/2"	30-1/4"	SAE-8	1"	53.6 lbs
T30352412	3-1/2"	24"	1-1/2"	34-1/4"	SAE-8	1"	60.0 lbs
T30353012	3-1/2"	30"	1-1/2"	40-1/4"	SAE-8	1"	69.6 lbs
T30353612	3-1/2"	36"	1-1/2"	46-1/4"	SAE-8	1"	79.2 lbs
T30354812	3-1/2"	48"	1-1/2"	58-1/4"	SAE-8	1"	88.8 lbs
T30356012	3-1/2"	60"	1-1/2"	70-1/4"	SAE-8	1"	98.4 lbs

4" Bore Cylinder

Item No.	Bore	Stroke	Shaft	Retracted Length	Ports	Pin Dia	Weight
T30400611	4"	6"	1-3/8"	16-1/4"	SAE-8	1"	38.0 lbs
T30400811	4"	8"	1-3/8"	18-1/4"	SAE-8	1"	41.7 lbs
T30401011	4"	10"	1-3/8"	20-1/4"	SAE-8	1"	45.4 lbs
T30401211	4"	12"	1-3/8"	22-1/4"	SAE-8	1"	49.1 lbs
T30401614	4"	16"	1-3/4"	26-1/4"	SAE-8	1"	56.8 lbs
T30401814	4"	18"	1-3/4"	28-1/4"	SAE-8	1"	60.8 lbs
T30402014	4"	20"	1-3/4"	30-1/4"	SAE-8	1"	64.8 lbs
T30402414	4"	24"	1-3/4"	34-1/4"	SAE-8	1"	72.8 lbs
T30403016	4"	30"	2"	40-1/4"	SAE-8	1"	85.8 lbs
T30403616	4"	36"	2"	46-1/4"	SAE-8	1"	98.8 lbs
T30404816	4"	48"	2"	58-1/4"	SAE-8	1"	111.8 lbs
T30406016	4"	60"	2"	70-1/4"	SAE-8	1"	124.8 lbs

HEAVY-DUTY TIE ROD HYDRAULIC CYLINDER - 3000PSI



NONE ASAE

Bore	2.00"	2.50"	3.00"	3.50"	4.00"
A	10-1/4"	10-1/4"	10-1/4"	10-1/4"	10-1/4"
O	2-1/8"	2-1/8"	2-1/8"	2-1/8"	2-1/8"
G	4-3/16"	4-3/16"	3-15/16"	3-15/16"	3-7/8"
F	2-1/16"	2-1/16"	2-1/16"	2-1/16"	2-1/16"
B (3,000 PSI)	2-3/4"	3-1/8"	3-3/4"	4-1/2"	5-1/8"
H	1-1/8"	1-1/8"	1-1/8"	1-1/8"	1-1/8"
H1	1-1/8"	1-1/8"	1-1/8"	1-1/8"	1-1/8"
K	2-1/2"	2-1/2"	2-5/8"	2-5/8"	2-5/8"
K1	2-1/2"	2-1/2"	2-5/8"	2-5/8"	2-5/8"
E	2"	2"	2"	2"	2-1/4"
D	2"	2"	2"	2-1/4"	2-1/4"
C (3,000 PSI)	1-1/64"	1-1/64"	1-1/64"	1-1/64"	1-1/64"
Port	SAE-8	SAE-8	SAE-8	SAE-8	SAE-8
T	3/8"	3/8"	1/2"	1/2"	1/2"
M	1-1/8-12 UF	1-1/8-12UNF	1-1/4-12UNF	1-1/4-12UNF	1-1/4-12UNF

ASAE

Bore	2.00"	2.50"	3.00"	3.50"	4.00"
A ASAE-8	12-1/4"	12-1/4"	12-1/4"	12-1/4"	12-1/4"
A ASAE-16	15-1/2"	15-1/2"	15-1/2"	15-1/2"	15-1/2"
G ASAE-8	6-3/16"	6-3/16"	5-15/16"	5-15/16"	5-7/8"
G ASAE-16	9-7/16"	9-7/16"	9-3/16"	9-3/16"	9-1/8"
C ASAE-8	1-1/64"	1-1/64"	1-1/64"	1-1/64"	1-1/64"
C ASAE-16	1-17/64"	1-17/64"	1-17/64"	1-17/64"	1-17/64"