

## HEAVY-DUTY WELDED HYDRAULIC CYLINDER - 3000PSI

### DESIGNATION SAMPLE

**W30 - 20 08 09 CL CL**

**W30**

**3,000 PSI WELDED HYDRAULIC CYLINDER**

**20**

**CYLINDER BORE 20,25,30,35 OR 40,45,50(EX.20=2.0")**

**08**

**CYLINDER STROKE IN INCH**

**09**

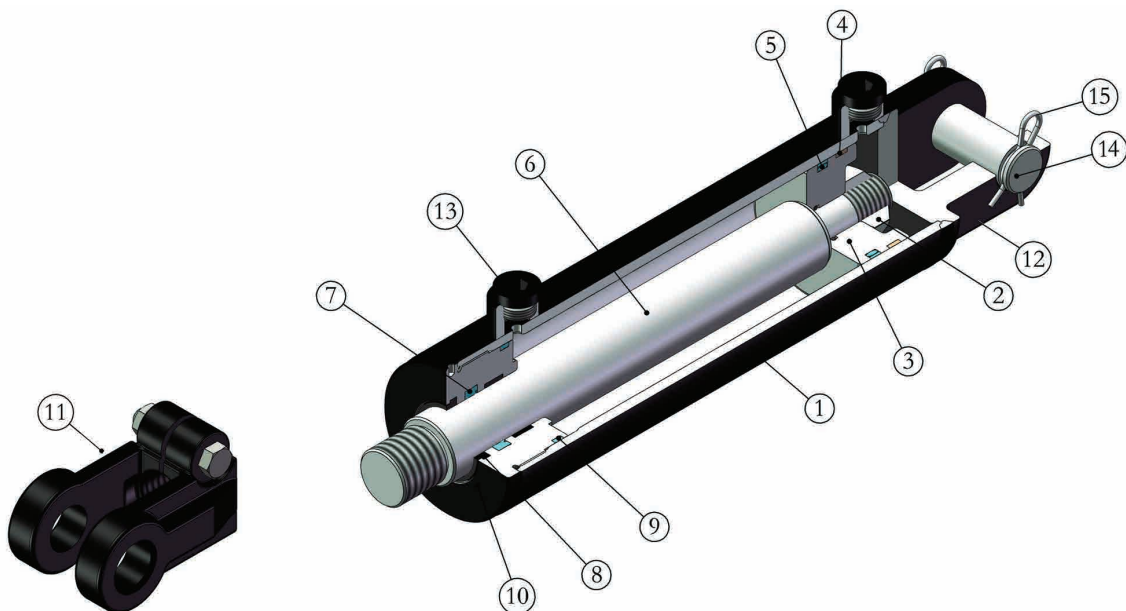
**SHAFT DIAMETER 08,09,10,11,12,14,16,18,20(EX.08=1"=8/8")**

**CL**

**ROD END, CL,CT(EX.CL=CLEVIS END)**

**CL**

**BASE END, CL,CT(EX.CL=CLEVIS END)**



### Part List

Item No.	Component	Material and feature	Q'ty
1	Cylinder tube	Honed tube provides better ductility	1
2	Piston nut	Heavy duty and high tensile steel holds piston in place under high cycle loading.	1
3	Piston	Precision machined ductile iron provides a malleable bearing surface for extended cylinder life.	1
4	Tube seal	90 durometer polyurethane "o" ring provides excellent sealing under high pressure	1
5	Piston seal	Compact seal prevents extrusion and provides excellent sealing under high pressure	1
6	Piston rod	C1045 high strength steel with hard chrome plated and precision ground & polished, 100hr salt spray tested.	1
7	Rod seal	Polyurethane u-cup double lip provides positive seal.	1
8	Rod wiper	Heavy duty metal encased nitrile prevents contaminants from entering cylinder.	1
9	Tube seal	90 durometer polyurethane "o" ring prevents leakage from cylinder	1
10	Rod cap		1
11	Rod end	Ductile iron provides excellent ductility and higher impact	1
12	Base end		1
13	Plug	Metal plug	2
14	Pins	High tensile steel with zinc plated finish	2
15	Pin clips		4

### WELDED CLEVIS HYDRAULIC CYLINDER - 3000PSI

- Ideal for agricultural and industrial application
- 3,000 PSI is designed to withstand shock loads of up to 6,000 PSI
- Durable ductile iron cast components
- One-piece clevis mounting end
- Screw-on clevis mounting end is available
- Customized welded cylinder can be made by request



#### ASAE Standard Cylinder

Item No.	Bore	Stroke	Shaft	Retracted Length	Ports	Pin Dia	Weight
W30200809-CLCL-ASAE	2"	8"	1-1/8"	20-1/4"	SAE-8	1"	16.0 lbs
W30250809-CLCL-ASAE	2-1/2"	8"	1-1/8"	20-1/4"	SAE-8	1"	21.0 lbs
W30300810-CLCL-ASAE	3"	8"	1-1/4"	20-1/4"	SAE-8	1"	27.0 lbs
W30350810-CLCL-ASAE	3-1/2"	8"	1-1/4"	20-1/4"	SAE-8	1"	36.0 lbs
W30400811-CLCL-ASAE	4"	8"	1-3/8"	20-1/4"	SAE-8	1"	41.0 lbs

#### NONE-ASAE Standard Cylinder

#### 2" Bore Cylinder

Item No.	Bore	Stroke	Shaft	Retracted Length	Ports	Pin Dia	Weight
W30200809-CLCL	2"	8"	1-1/8"	18-1/4"	SAE-8	1"	15.0 lbs
W30201009-CLCL	2"	10"	1-1/8"	20-1/4"	SAE-8	1"	16.2 lbs
W30201209-CLCL	2"	12"	1-1/8"	22-1/4"	SAE-8	1"	17.4 lbs
W30201409-CLCL	2"	14"	1-1/8"	24-1/4"	SAE-8	1"	18.6 lbs
W30201609-CLCL	2"	16"	1-1/8"	26-1/4"	SAE-8	1"	19.8 lbs
W30201809-CLCL	2"	18"	1-1/8"	28-1/4"	SAE-8	1"	21.0 lbs
W30202009-CLCL	2"	20"	1-1/8"	30-1/4"	SAE-8	1"	22.2 lbs
W30202409-CLCL	2"	24"	1-1/8"	34-1/4"	SAE-8	1"	24.6 lbs
W30203009-CLCL	2"	30"	1-1/8"	40-1/4"	SAE-8	1"	29.0 lbs
W30203609-CLCL	2"	36"	1-1/8"	46-1/4"	SAE-8	1"	33.0 lbs
W30204810-CLCL	2"	48"	1-1/4"	58-1/4"	SAE-8	1"	59.0 lbs

#### 2-1/2" Bore Cylinder

Item No.	Bore	Stroke	Shaft	Retracted Length	Ports	Pin Dia	Weight
W30250809-CLCL	2-1/2"	8"	1-1/8"	18-1/4"	SAE-8	1"	20.0 lbs
W30251009-CLCL	2-1/2"	10"	1-1/8"	20-1/4"	SAE-8	1"	21.5 lbs
W30251209-CLCL	2-1/2"	12"	1-1/8"	22-1/4"	SAE-8	1"	23.0 lbs
W30251409-CLCL	2-1/2"	14"	1-1/8"	24-1/4"	SAE-8	1"	24.5 lbs
W30251610-CLCL	2-1/2"	16"	1-1/4"	26-1/4"	SAE-8	1"	26.0 lbs
W30251810-CLCL	2-1/2"	18"	1-1/4"	28-1/4"	SAE-8	1"	27.5 lbs
W30252010-CLCL	2-1/2"	20"	1-1/4"	30-1/4"	SAE-8	1"	29.0 lbs
W30252410-CLCL	2-1/2"	24"	1-1/4"	34-1/4"	SAE-8	1"	32.0 lbs
W30253012-CLCL	2-1/2"	30"	1-1/2"	40-1/4"	SAE-8	1"	38.0 lbs
W30253612-CLCL	2-1/2"	36"	1-1/2"	46-1/4"	SAE-8	1"	44.0 lbs
W30254812-CLCL	2-1/2"	48"	1-1/2"	58-1/4"	SAE-8	1"	75.0 lbs

### NONE-ASAE Standard Cylinder

## 3" Bore Cylinder

Item No.	Bore	Stroke	Shaft	Retracted Length	Ports	Pin Dia	Weight
W30300810-CLCL	3"	8"	1-1/4"	18-1/4"	SAE-8	1"	26.0 lbs
W30301010-CLCL	3"	10"	1-1/4"	20-1/4"	SAE-8	1"	28.0 lbs
W30301210-CLCL	3"	12"	1-1/4"	22-1/4"	SAE-8	1"	30.0 lbs
W30301410-CLCL	3"	14"	1-1/4"	24-1/4"	SAE-8	1"	32.0 lbs
W30301612-CLCL	3"	16"	1-1/2"	26-1/4"	SAE-8	1"	34.0 lbs
W30301812-CLCL	3"	18"	1-1/2"	28-1/4"	SAE-8	1"	36.0 lbs
W30302012-CLCL	3"	20"	1-1/2"	30-1/4"	SAE-8	1"	38.0 lbs
W30302412-CLCL	3"	24"	1-1/2"	34-1/4"	SAE-8	1"	42.0 lbs
W30303012-CLCL	3"	30"	1-1/2"	40-1/4"	SAE-8	1"	50.0 lbs
W30303612-CLCL	3"	36"	1-1/2"	46-1/4"	SAE-8	1"	57.2 lbs
W30304812-CLCL	3"	48"	1-1/2"	58-1/4"	SAE-8	1"	67.0 lbs

## 3-1/2" Bore Cylinder

Item No.	Bore	Stroke	Shaft	Retracted Length	Ports	Pin Dia	Weight
W30350810-CLCL	3-1/2"	8"	1-1/4"	18-1/4"	SAE-8	1"	37.0 lbs
W30351010-CLCL	3-1/2"	10"	1-1/4"	20-1/4"	SAE-8	1"	38.0 lbs
W30351210-CLCL	3-1/2"	12"	1-1/4"	22-1/4"	SAE-8	1"	40.0 lbs
W30351410-CLCL	3-1/2"	14"	1-1/4"	24-1/4"	SAE-8	1"	43.0 lbs
W30351612-CLCL	3-1/2"	16"	1-1/2"	26-1/4"	SAE-8	1"	46.0 lbs
W30351812-CLCL	3-1/2"	18"	1-1/2"	28-1/4"	SAE-8	1"	49.0 lbs
W30352012-CLCL	3-1/2"	20"	1-1/2"	30-1/4"	SAE-8	1"	52.0 lbs
W30352412-CLCL	3-1/2"	24"	1-1/2"	34-1/4"	SAE-8	1"	56.0 lbs
W30353014-CLCL	3-1/2"	30"	1-3/4"	40-1/4"	SAE-8	1"	66.0 lbs
W30353614-CLCL	3-1/2"	36"	1-3/4"	46-1/4"	SAE-8	1"	76.0 lbs
W30354814-CLCL	3-1/2"	48"	1-3/4"	58-1/4"	SAE-8	1"	84.0 lbs

## 4" Bore Cylinder

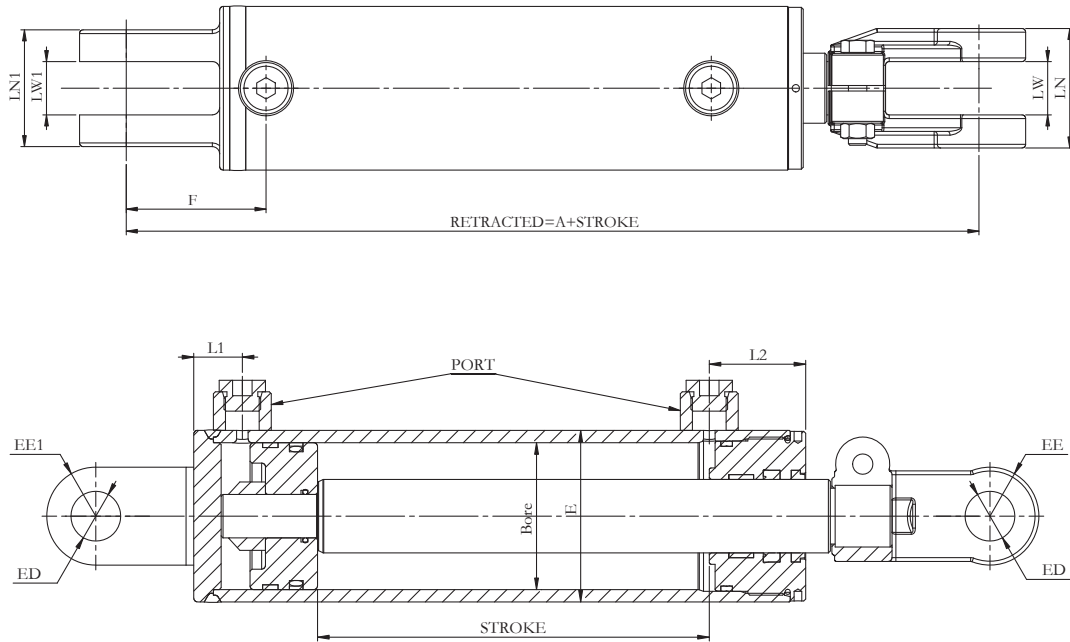
Item No.	Bore	Stroke	Shaft	Retracted Length	Ports	Pin Dia	Weight
W30400811-CLCL	4"	8"	1-3/8"	18-1/4"	SAE-8	1"	39.0 lbs
W30401011-CLCL	4"	10"	1-3/8"	20-1/4"	SAE-8	1"	43.0 lbs
W30401211-CLCL	4"	12"	1-3/8"	22-1/4"	SAE-8	1"	47.0 lbs
W30401411-CLCL	4"	14"	1-3/8"	24-1/4"	SAE-8	1"	51.0 lbs
W30401614-CLCL	4"	16"	1-3/4"	26-1/4"	SAE-8	1"	55.0 lbs
W30401814-CLCL	4"	18"	1-3/4"	28-1/4"	SAE-8	1"	59.0 lbs
W30402014-CLCL	4"	20"	1-3/4"	30-1/4"	SAE-8	1"	63.0 lbs
W30402414-CLCL	4"	24"	1-3/4"	34-1/4"	SAE-8	1"	71.0 lbs
W30403016-CLCL	4"	30"	2"	40-1/4"	SAE-8	1"	83.0 lbs
W30403616-CLCL	4"	36"	2"	46-1/4"	SAE-8	1"	95.0 lbs
W30404816-CLCL	4"	48"	2"	58-1/4"	SAE-8	1"	123.0 lbs

## 5" Bore Cylinder

Item No.	Bore	Stroke	Shaft	Retracted Length	Ports	Pin Dia	Weight
W30500816-CLCL	5"	8"	2"	20-1/4"	SAE-8	1-1/4"	61.0 lbs
W30501016-CLCL	5"	10"	2"	22-1/4"	SAE-8	1-1/4"	66.0 lbs
W30501216-CLCL	5"	12"	2"	24-1/4"	SAE-8	1-1/4"	71.0 lbs
W30501416-CLCL	5"	14"	2"	26-1/4"	SAE-8	1-1/4"	76.0 lbs
W30501616-CLCL	5"	16"	2"	28-1/4"	SAE-8	1-1/4"	81.0 lbs
W30501816-CLCL	5"	18"	2"	30-1/4"	SAE-8	1-1/4"	86.0 lbs
W30502016-CLCL	5"	20"	2"	32-1/4"	SAE-8	1-1/4"	91.0 lbs
W30502416-CLCL	5"	24"	2"	36-1/4"	SAE-8	1-1/4"	96.0 lbs
W30503020-CLCL	5"	30"	2-1/2"	42-1/4"	SAE-8	1-1/4"	111.0 lbs
W30503620-CLCL	5"	36"	2-1/2"	48-1/4"	SAE-8	1-1/4"	129.0 lbs

Note: Port SAE, NPT is available.

## WELDED CLEVIS HYDRAULIC CYLINDER - 3000PSI



### Non-ASAE

Bore	2.00"	2.50"	3.00"	3.50"	4.00"	5.00"
A	10-1/4"	10-1/4"	10-1/4"	10-1/4"	10-1/4"	12-1/4"
E	2-1/2"	3"	3-1/2"	4"	4-1/2"	5-1/2"
F	2"	2"	2-3/8"	2-3/8"	2-3/8"	2-3/8"
LN1	2-1/8"	2-1/2"	2-1/2"	2-1/2"	2-3/4"	3-1/2"
LW1	1-1/8"	1-1/8"	1-1/8"	1-1/8"	1-1/8"	1-1/2"
LN	2-1/2"	2-1/2"	2-5/8"	2-5/8"	2-5/8"	2-3/4"
LW	1-1/8"	1-1/8"	1-1/8"	1-1/8"	1-1/8"	1-1/2"
EE1	2"	2"	2"	2"	2-1/8"	2-1/8"
EE	2"	2"	2-1/4"	2-1/4"	2-1/4"	2-1/4"
ED	1-1/64"	1-1/64"	1-1/64"	1-1/64"	1-1/64"	1-1/64"
L1	1"	1"	1"	1-1/8"	1-1/8"	1-3/16"
L2	1-13/16"	1-14/16"	1-15/16"	2-15/16"	2-15/16"	2-3/8"
PORT	SAE-6	SAE-6	SAE-6	SAE-6	SAE-6	SAE-6

### ASAE

Bore	2.00"	2.50"	3.00"	3.50"	4.00"
A	12-1/4"	12-1/4"	12-1/4"	12-1/4"	12-1/4"