

FLOW CONTROL VALVE



DESIGNATION SAMPLE

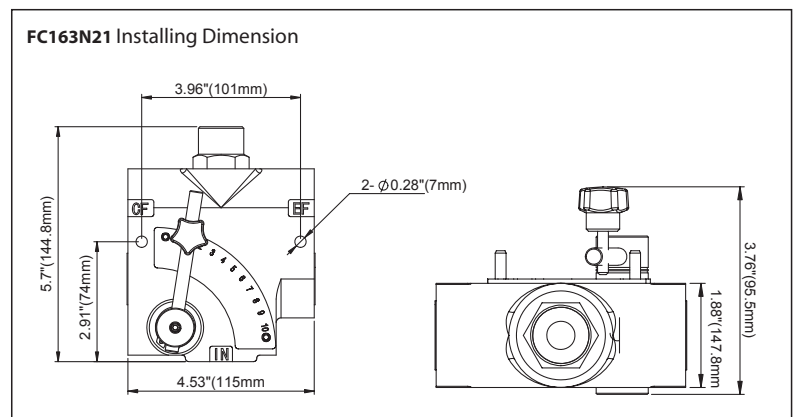
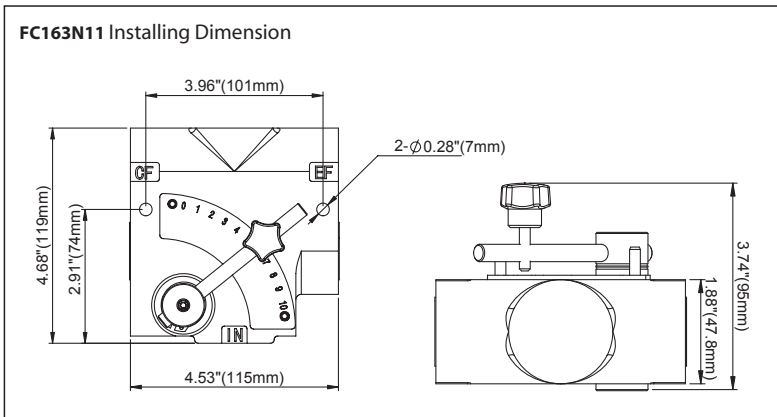
FC - 30 5N 1 1

| | |
|-----------|----------------------|
| FC | FLOW CONTROL |
| 30 | FLOW RATE |
| 5N | PORT SIZE |
| 1 | RELIEF VALVE |
| 1 | PORT LOCATION |



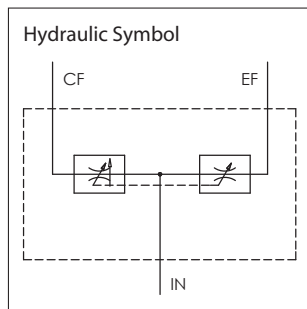
| | | | |
|----------------------|--|--|-------------------------------------|
| FLOW RATE | 16 16GPM | 30 30GPM | |
| PORT SIZE | 5N 3/4" NPT In/Out 3/4"NPT Work | 3N 1/2" NPT In/Out 1/2"NPT Work | 4S #10SAE In/Out #10SAE Work |
| | 9S #12SAE In/Out #12SAE Work | 4B 1/2" BSP In/Out 1/2"BSP Work | |
| RELIEF VALVE | 1 No relief | 2 Differential poppet adjustable 500-3000psi set at 2500psi | |
| PORT LOCATION | 1 Side port | 2 Top | |

Notes: For other relief settings, please specify.



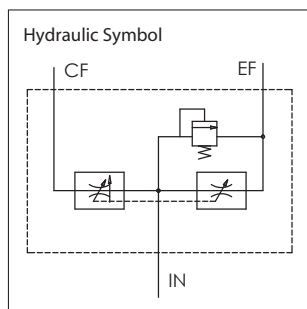
FLOW CONTROL VALVE

- 3,000 PSI max operating pressure
- Max. flow capacity: 30 GPM
- Adjustable relief preset at 2,500 PSI
- Side port configuration
- Once set, maintains constant speed regardless load variation
- Excess flow is returned to tank or used to power another function



FC163N11

| Item No. | Description | Port Size | Flow Range | Weight |
|-----------------|--------------------------|-----------|------------|-----------------|
| FC164B11 | 1/2-BSP ports w/o relief | 1/2" BSP | 0-16 GPM | 9.0 lbs(4.1kgs) |
| FC163N11 | 1/2-NPT ports w/o relief | 1/2" NPT | 0-16 GPM | 9.0 lbs(4.1kgs) |
| FC305N11 | 3/4-NPT ports w/o relief | 3/4" NPT | 0-30 GPM | 9.0 lbs(4.1kgs) |
| FC309S11 | #12 SAE ports w/o relief | SAE 12 | 0-30 GPM | 9.0 lbs(4.1kgs) |



FC163N21

| Item No. | Description | Port Size | Flow Range | Weight |
|-----------------|---------------|-----------|------------|-----------------|
| FC164B21 | 1/2-BSP ports | 1/2" BSP | 0-16 GPM | 9.0 lbs(4.1kgs) |
| FC163N21 | 1/2-NPT ports | 1/2" NPT | 0-16 GPM | 9.0 lbs(4.1kgs) |
| FC305N21 | 3/4-NPT ports | 3/4" NPT | 0-30 GPM | 9.0 lbs(4.1kgs) |
| FC309S21 | #12 SAE ports | SAE 12 | 0-30 GPM | 9.0 lbs(4.1kgs) |