

LOG SPLITTER KICK-OFF CONTROL VALVE



- Constructed of high tensile strength gray cast iron
- Built-in adjustable relief valve
- Hard chrome plated spool

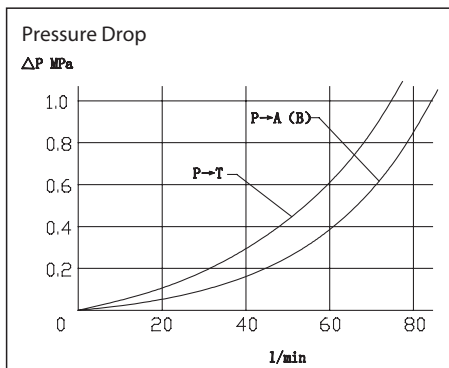
Recommended Hydraulic System:

- Maximum tank pressure: 500 PSI
- Maximum operating temperature: 180 °F
- Recommended system filtration: 10 micron

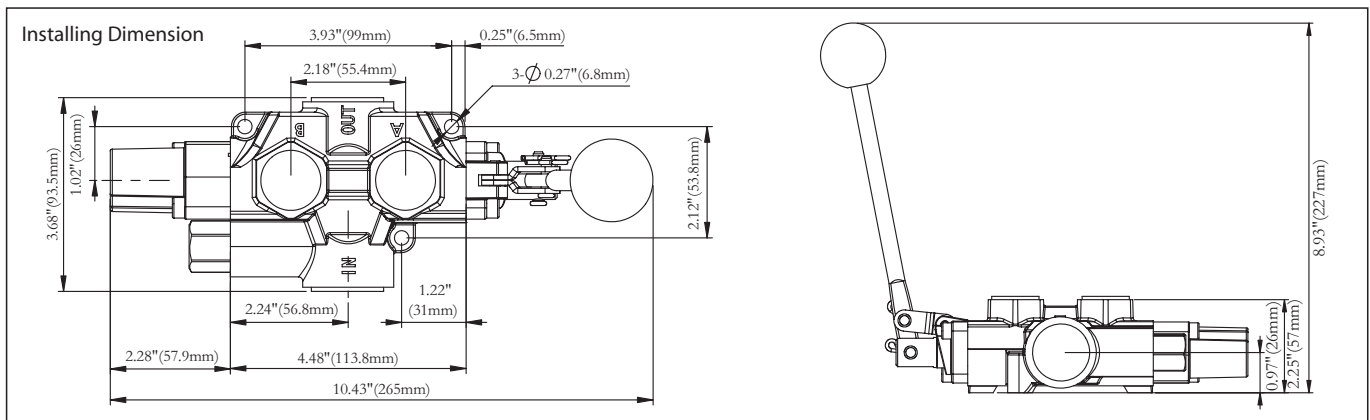
Standard Features:

- Maximum GPM: 18
- Maximum operating pressure : 3,000 PSI
- Spool action is spring center/hydraulic kick-off
- Built-in relief valve preset at 1,800 PSI
- **Kick-off pressure is non-adjustable, preset at 800 PSI**
- Handle can be installed in "up" or "down" position

Compact



LS185BBA32



Item No.	Spool Options	Inlet/Outlet Ports	Working Ports	Max. Flow	Max. Pressure	Weight
LS185BBA32		3/4 BSP	1/2 BSP	18 GPM	3,265 PSI	4.85 lbs(2.2kgs)
LS185NBA32		3/4" NPT	1/2" NPT	18 GPM	3,265 PSI	4.85 lbs(2.2kgs)
LS186SBA32		SAE 10#	SAE 8#	18 GPM	3,265 PSI	4.85 lbs(2.2kgs)
LS185BCA32		3/4 BSP	1/2 BSP	18 GPM	3,265 PSI	4.85 lbs(2.2kgs)
LS185NCA32		3/4" NPT	1/2" NPT	18 GPM	3,265 PSI	4.85 lbs(2.2kgs)
LS186SCA32		SAE 10#	SAE 8#	18 GPM	3,265 PSI	4.85 lbs(2.2kgs)
LS185BAA32		3/4 BSP	1/2 BSP	18 GPM	3,265 PSI	4.85 lbs(2.2kgs)
LS185NAA32		3/4" NPT	1/2" NPT	18 GPM	3,265 PSI	4.85 lbs(2.2kgs)
LS186SAA32		SAE 10#	SAE 8#	18 GPM	3,265 PSI	4.85 lbs(2.2kgs)

LOG SPLITTER KICK-OFF CONTROL VALVE

- Constructed of high tensile strength gray cast iron
- Built-in adjustable relief valve
- Hard chrome plated spool

Recommended Hydraulic System:

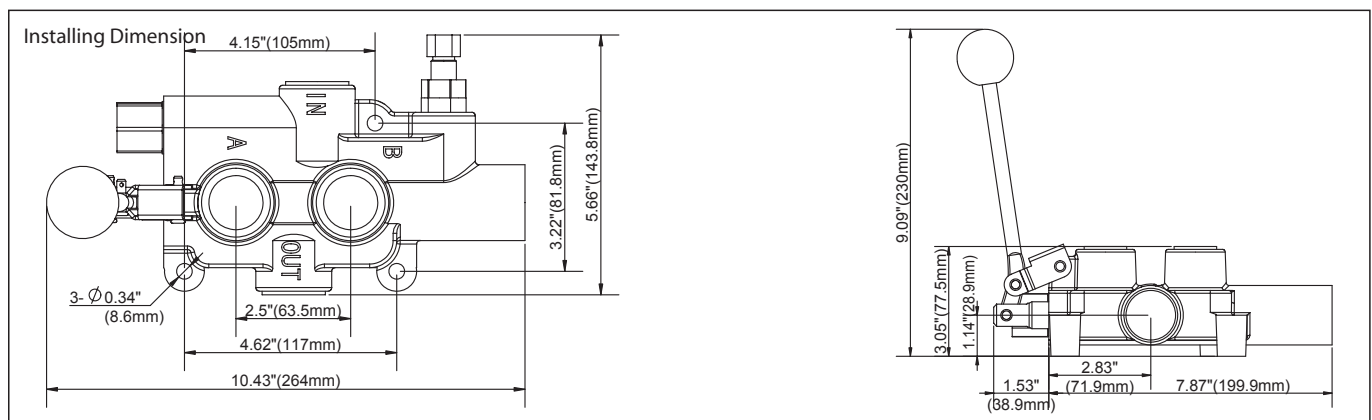
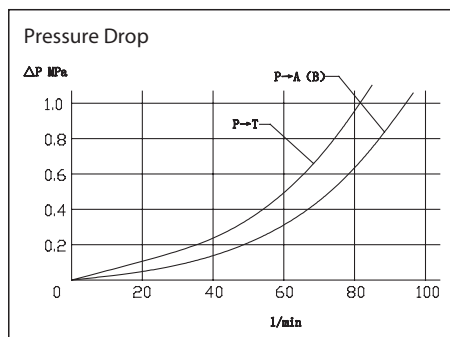
- Maximum tank pressure: 500 PSI
- Maximum operating temperature: 180°F
- Recommended system filtration: 10 micron

Standard Features:

- Maximum GPM: 25
- Maximum operating pressure : 3,500 PSI
- Built-in relief valve preset at 2,250 PSI
- Kick-off pressure adjustable from 1,000~2,600 PSI, preset at 1,400 PSI
- Automatically kicks back to neutral when cylinder completes stroke
- Handle can be installed in "up" or "down" position



LS255NBA43



Item No.	Spool Options	Inlet/Outlet Ports	Working Ports	Max. Flow	Max. Pressure	Weight
LS255NBA43		3/4" NPT	1/2" NPT	25 GPM	2,750 PSI	10.0 lbs(4.5kgs)
LS256SBA43		SAE 10#	SAE 8#	25 GPM	2,750 PSI	10.0 lbs(4.5kgs)
LS255BBA43		3/4 BSP	1/2 BSP	25 GPM	2,750 PSI	10.0 lbs(4.5kgs)

LOG SPLITTER KICK-OFF CONTROL VALVE

- Constructed of high tensile strength gray cast iron
- Built-in adjustable relief valve
- Hard chrome plated spool

Recommended Hydraulic System:

- Maximum tank pressure: 500 PSI
- Maximum operating temperature: 180°F
- Recommended system filtration: 10 micron

Standard Features:

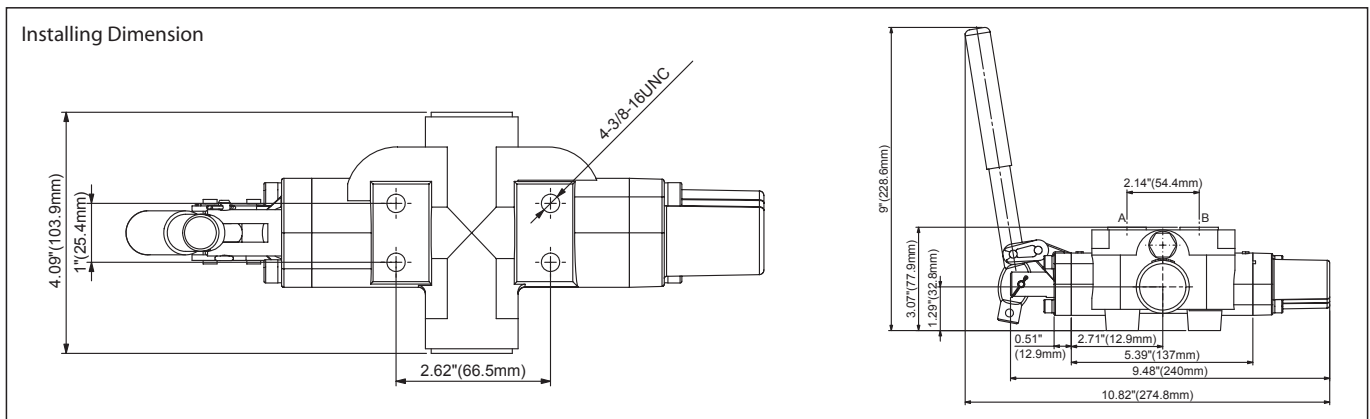
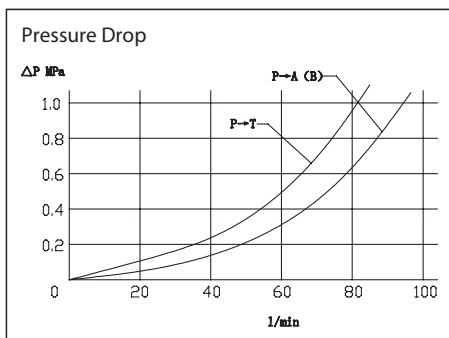
- Maximum GPM: 30
- Maximum operating pressure : 3,500 PSI
- Spool action is spring center/hydraulic kick-off
- Built-in relief valve preset at 2,250 PSI
- **Kick-off pressure is non-adjustable, preset at 800 PSI**
- Handle can be installed in "up" or "down" position



Economy



LS305NBA42



Item No.	Spool Options	Inlet/Outlet Ports	Working Ports	Max. Flow	Max. Pressure	Weight
LS305NBA42		3/4" NPT	1/2" NPT	30 GPM	3,625 PSI	10.0 lbs(4.5kgs)