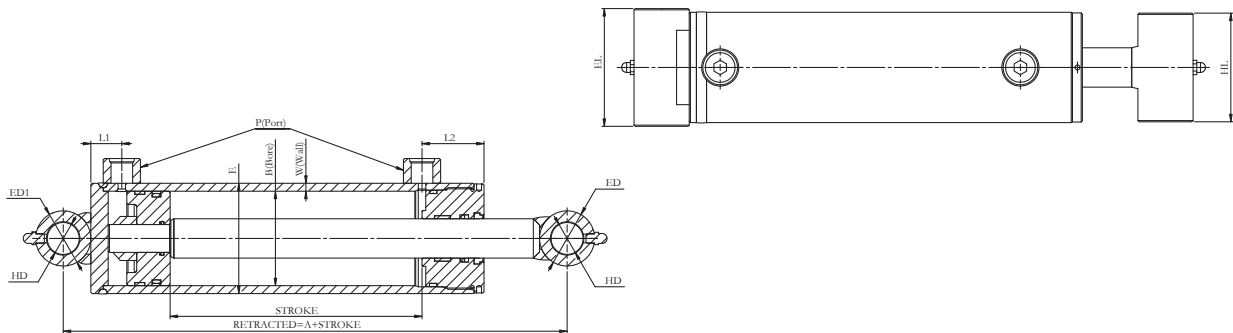


LOADER HYDRAULIC CYLINDER - 3000PSI

- Double acting application
- 3,000 PSI model is designed to withstand shock loads of up to 6,000 PSI
- Cross tube mounting end
- Ideal for agricultural, industrial and light duty loader's application



Item No.	Bore	Stroke	Shaft	Retracted Length	Port Size	Pin Dia.	Weight
LD30151408	1.5	14	1"	22	SAE 6	3/4"	12.0 lbs
LD30151208	1.5	12	1"	20	SAE 6	3/4"	12.0 lbs
LD30151608	1.5	16	1"	24	SAE 6	3/4"	14.0 lbs
LD30171408	1.75	14	1"	28.5	SAE 6	1	25.0 lbs
LD30171508	1.75	14-1/4"	1"	28.25	SAE 6	1	25.0 lbs
LD30171608	1.75	15-1/2"	1"	22.75	SAE 6	1	27.0 lbs
LD30171708	1.75	16-1/4"	1"	24.13	SAE 6	1	32.0 lbs
LD30171808	1.75	18	1"	27.25	SAE 6	1	34.0 lbs
LD30201910	2	19-1/4"	1-1/4"	26.875	SAE 6	1-1/4"	27.0 lbs
LD30202010	2	19-1/4"	1-1/4"	26.375	SAE 6	1-1/4"	27.0 lbs
LD30202310	2	22-3/4"	1-1/4"	29.875	SAE 6	1-1/4"	30.0 lbs
LD30222312	2.25	23-1/4"	1-1/2"	31	SAE 8	1-1/4"	28.0 lbs
LD30252412	2.5	23-1/2"	1-1/2"	34	SAE 8	1-1/4"	34.0 lbs
LD30251812	2.5	18-1/4"	1-1/2"	31.75	SAE 8	1-1/4"	37.0 lbs
LD30252412	2.5	24	1-1/2"	37	SAE 8	1-1/4"	34.0 lbs



Dimensions

Bore	1.5	1.75	2	2.25	2.5	2.75	3
A	8.000	Varies	Varies	Varies	Varies	13.875	8.875
E	1.688	1.938	2.188	2.438	2.688	2.95	3.188
HL	2.000	3.000	2.756	3.500	3.504	3.500	3.504
EL	2.000	2.125	2.382	2.630	2.870	3.130	3.386
ED	1.250	1.500	2.000	2.000	2.000	2.000	2.000
HD	0.765	1.016	1.264	1.264	1.264	1.264	1.264
L1	0.930	0.123	0.974	1.140	1.040	1.260	1.254
L2	2.125	1.875	1.875	2.000	2.000	2.190	2.187