

## HEAVY-DUTY TIE ROD HYDRAULIC CYLINDER - 2500PSI

### DESIGNATION SAMPLE

**T25 - 20 06 09 ASAE**

**T25**

**2,500 PSI TIE ROD HYDRAULIC CYLINDER**

**20**

**CYLINDER BORE 20,25,30,35 OR 40(EX.20=2.0")**

**06**

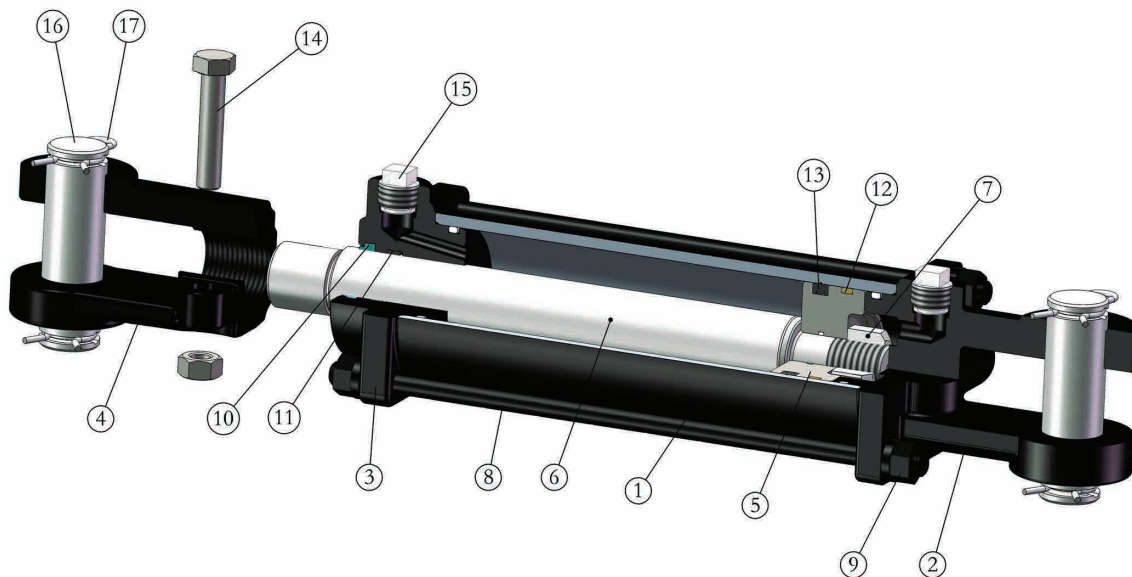
**CYLINDER STROKE IN INCH**

**09**

**SHAFT DIAMETER 08,09,10,11,12,14,16,18,20(EX.08=1"=8/8")**

**ASAE**

**LONGER ROD EXTENSION THAN STANDARD CYLINDER**



### Part List

Item No.	Component	Material and feature	Q'TY
1	Cylinder tube	honed tube provides better ductility	1
2	Clevis base end		1
3	Rod cap	Ductile iron provides excellent ductility and higher impact	1
4	Clevis rod end		1
5	Piston	Precision machined ductile iron provides a malleable bearing surface for extended cylinder life.	1
6	Piston rod	C1045 high strength steel with hard chrome plated and precision ground & polished, 100hr salt spray tested	1
7	Piston nut	Heavy duty and high tensile steel holds piston in place under high cycle loading	1
8	Tie-rod	C1045 high tensile steel prevent failure under high pressure	4
9	Tie-rod nuts		8
10	Rod wiper	Heavy duty metal encased nitrile prevents contaminants from entering cylinder	1
11	Rod seal	Polyurethane u-cup double lip provides positive seal	1
12	Tube seal	90 durometer polyurethane "o" ring prevents leakage from cylinder	1
13	Piston seal	90 durometer polyurethane "o" ring provides excellent sealing under high pressure	1
14	Socket head screw/bolt	High tensile steel	1
15	Plug	Metal plug	3
16	Pins	High tensile steel with zinc plated finish	2
17	Pin clips		4

### HEAVY-DUTY TIE ROD HYDRAULIC CYLINDER - 2500PSI

- Double-acting application
- 2,500 PSI model is designed to withstand shock loads of up to 5,000 PSI
- Durable ductile iron cast components
- Ideal for agricultural and industrial application
- Customized Tie-Rod cylinder can be made by request



#### ASAE Standard Cylinder

Item No.	Bore	Stroke	Shaft	Retracted Length	Ports	Pin Dia	Weight
T25200809-ASAE	2"	8"	1-1/8"	20-1/4"	3/8"	1"	19.5 lbs
T25250809-ASAE	2-1/2"	8"	1-1/8"	20-1/4"	3/8"	1"	22.0 lbs
T25300810-ASAE	3"	8"	1-1/4"	20-1/4"	1/2"	1"	26.2 lbs
T25301612-ASAE	3"	16"	1-1/2"	31-1/2"	1/2"	1-1/4"	38.0 lbs
T25350812-ASAE	3-1/2"	8"	1-1/2"	20-1/4"	1/2"	1"	33.0 lbs
T25351612-ASAE	3-1/2"	16"	1-1/2"	31-1/2"	1/2"	1-1/4"	51.0 lbs
T25400810-ASAE	4"	8"	1-1/4"	20-1/4"	1/2"	1"	39.5 lbs
T25401614-ASAE	4"	16"	1-3/4"	31-1/2"	1/2"	1-1/4"	59.0 lbs

#### NONE-ASAE Standard Cylinder

#### 2" Bore Cylinder

Item No.	Bore	Stroke	Shaft	Retracted Length	Ports	Pin Dia	Weight
T25200609	2"	6"	1-1/8"	16-1/4"	3/8"	1"	18.0 lbs
T25200809	2"	8"	1-1/8"	18-1/4"	3/8"	1"	19.5 lbs
T25201009	2"	10"	1-1/8"	20-1/4"	3/8"	1"	21.0 lbs
T25201209	2"	12"	1-1/8"	22-1/4"	3/8"	1"	22.5 lbs
T25201409	2"	14"	1-1/8"	24-1/4"	3/8"	1"	24.0 lbs
T25201609	2"	16"	1-1/8"	26-1/4"	3/8"	1"	25.5 lbs
T25201809	2"	18"	1-1/8"	28-1/4"	3/8"	1"	27.0 lbs
T25202409	2"	24"	1-1/8"	34-1/4"	3/8"	1"	31.5 lbs
T25203009	2"	30"	1-1/8"	40-1/4"	3/8"	1"	35.8 lbs
T25203609	2"	36"	1-1/8"	46-1/4"	3/8"	1"	40.0 lbs
T25204809	2"	48"	1-1/8"	58-1/4"	3/8"	1"	59.0 lbs
T25206009	2"	60"	1-1/8"	70-1/4"	3/8"	1"	70.0 lbs

#### 2-1/2" Bore Cylinder

Item No.	Bore	Stroke	Shaft	Retracted Length	Ports	Pin Dia	Weight
T25250609	2-1/2"	6"	1-1/8"	16-1/4"	3/8"	1"	20.0 lbs
T25250809	2-1/2"	8"	1-1/8"	18-1/4"	3/8"	1"	22.0 lbs
T25251009	2-1/2"	10"	1-1/8"	20-1/4"	3/8"	1"	24.0 lbs
T25251209	2-1/2"	12"	1-1/8"	22-1/4"	3/8"	1"	26.0 lbs
T25251409	2-1/2"	14"	1-1/8"	24-1/4"	3/8"	1"	28.0 lbs
T25251609	2-1/2"	16"	1-1/8"	26-1/4"	3/8"	1"	30.0 lbs
T25251810	2-1/2"	18"	1-1/4"	28-1/4"	3/8"	1"	32.0 lbs
T25252010	2-1/2"	20"	1-1/4"	30-1/4"	3/8"	1"	34.0 lbs
T25252410	2-1/2"	24"	1-1/4"	34-1/4"	3/8"	1"	39.0 lbs
T25253010	2-1/2"	30"	1-1/4"	40-1/4"	3/8"	1"	46.0 lbs
T25253610	2-1/2"	36"	1-1/4"	46-1/4"	3/8"	1"	53.0 lbs
T25254810	2-1/2"	48"	1-1/4"	58-1/4"	3/8"	1"	61.0 lbs
T25256010	2-1/2"	60"	1-1/4"	70-1/4"	3/8"	1"	73.0 lbs

## HEAVY-DUTY TIE ROD HYDRAULIC CYLINDER - 2500PSI

NONE-ASAE Standard Cylinder

### 3" Bore Cylinder

Item No.	Bore	Stroke	Shaft	Retracted Length	Ports	Pin Dia	Weight
T25300610	3"	6"	1-1/4"	16-1/4"	1/2"	1"	24.0 lbs
T25300810	3"	8"	1-1/4"	18-1/4"	1/2"	1"	26.2 lbs
T25301010	3"	10"	1-1/4"	20-1/4"	1/2"	1"	28.4 lbs
T25301210	3"	12"	1-1/4"	22-1/4"	1/2"	1"	30.6 lbs
T25301410	3"	14"	1-1/4"	24-1/4"	1/2"	1"	32.8 lbs
T25301610	3"	16"	1-1/4"	26-1/4"	1/2"	1"	35.0 lbs
T25301810	3"	18"	1-1/4"	28-1/4"	1/2"	1"	37.2 lbs
T25302012	3"	20"	1-1/2"	30-1/4"	1/2"	1"	39.4 lbs
T25302412	3"	24"	1-1/2"	34-1/4"	1/2"	1"	45.0 lbs
T25303012	3"	30"	1-1/2"	40-1/4"	1/2"	1"	53.8 lbs
T25303612	3"	36"	1-1/2"	46-1/4"	1/2"	1"	62.2 lbs
T25304812	3"	48"	1-1/2"	58-1/4"	1/2"	1"	68.0 lbs
T25306012	3"	60"	1-1/2"	70-1/4"	1/2"	1"	74.0 lbs

### 3-1/2" Bore Cylinder

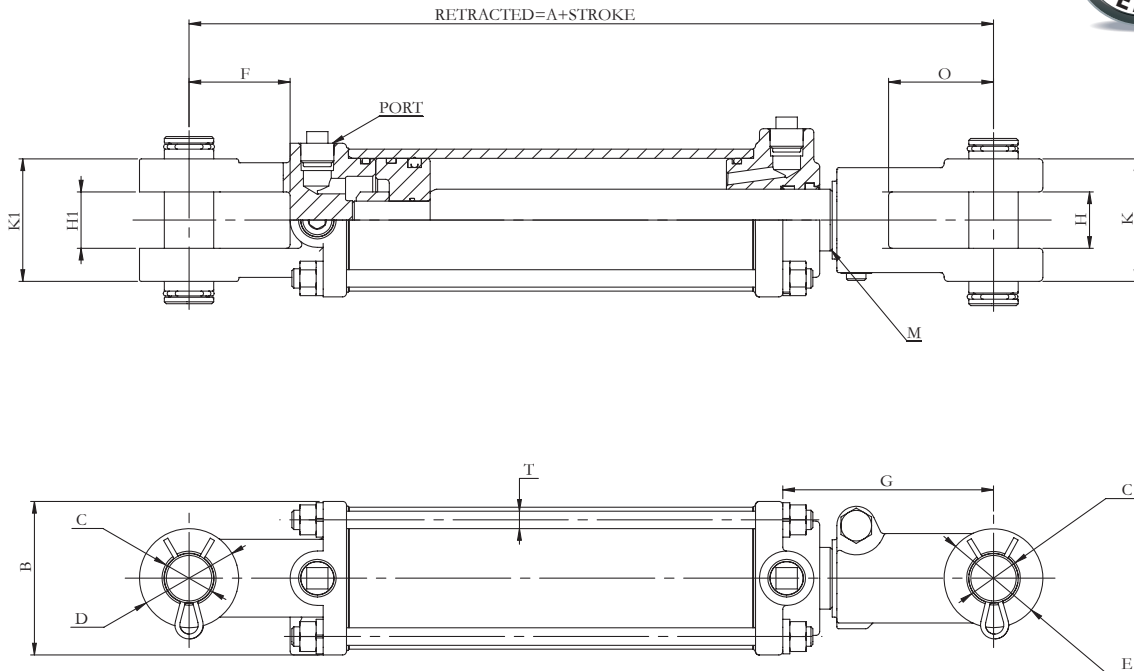
Item No.	Bore	Stroke	Shaft	Retracted Length	Ports	Pin Dia	Weight
T25350610	3-1/2"	6"	1-1/4"	16-1/4"	1/2"	1"	30.0 lbs
T25350810	3-1/2"	8"	1-1/4"	18-1/4"	1/2"	1"	33.0 lbs
T25351010	3-1/2"	10"	1-1/4"	20-1/4"	1/2"	1"	36.0 lbs
T25351210	3-1/2"	12"	1-1/4"	22-1/4"	1/2"	1"	39.0 lbs
T25351410	3-1/2"	14"	1-1/4"	24-1/4"	1/2"	1"	42.0 lbs
T25351610	3-1/2"	16"	1-1/4"	26-1/4"	1/2"	1"	45.0 lbs
T25351810	3-1/2"	18"	1-1/4"	28-1/4"	1/2"	1"	48.0 lbs
T25352010	3-1/2"	20"	1-1/4"	30-1/4"	1/2"	1"	51.0 lbs
T25352412	3-1/2"	24"	1-1/2"	34-1/4"	1/2"	1"	57.0 lbs
T25353012	3-1/2"	30"	1-1/2"	40-1/4"	1/2"	1"	66.0 lbs
T25353612	3-1/2"	36"	1-1/2"	46-1/4"	1/2"	1"	75.0 lbs
T25354812	3-1/2"	48"	1-1/2"	58-1/4"	1/2"	1"	84.0 lbs
T25356012	3-1/2"	60"	1-1/2"	70-1/4"	1/2"	1"	93.0 lbs

### 4" Bore Cylinder

Item No.	Bore	Stroke	Shaft	Retracted Length	Ports	Pin Dia	Weight
T25400612	4"	6"	1-1/2"	16-1/4"	1/2"	1"	36.0 lbs
T25400812	4"	8"	1-1/2"	18-1/4"	1/2"	1"	39.5 lbs
T25401012	4"	10"	1-1/2"	20-1/4"	1/2"	1"	43.0 lbs
T25401212	4"	12"	1-1/2"	22-1/4"	1/2"	1"	46.5 lbs
T25401412	4"	14"	1-1/2"	24-1/4"	1/2"	1"	50.0 lbs
T25401612	4"	16"	1-1/2"	31-1/2"	1/2"	1"	53.5 lbs
T25401812	4"	18"	1-1/4"	28-1/4"	1/2"	1"	57.5 lbs
T25402012	4"	20"	1-1/2"	30-1/4"	1/2"	1"	61.3 lbs
T25402416	4"	24"	2"	34-1/4"	1/2"	1"	69.3 lbs
T25403016	4"	30"	2"	40-1/4"	1/2"	1"	81.3 lbs
T25403616	4"	36"	2"	46-1/4"	1/2"	1"	93.3 lbs
T25404816	4"	48"	2"	58-1/4"	1/2"	1"	123.0 lbs
T25406016	4"	60"	2"	70-1/4"	1/2"	1"	153.0 lbs

Note: Port NPT, NPTF, SAE is available.

## HEAVY-DUTY TIE ROD HYDRAULIC CYLINDER - 2500PSI



### NONE ASAE

Bore	2.00"	2.50"	3.00"	3.50"	4.00"
A	10-1/4"	10-1/4"	10-1/4"	10-1/4"	10-1/4"
O	2-1/8"	2-1/8"	2-1/8"	2-1/8"	2-1/8"
G	4-3/16"	4-3/16"	3-15/16"	3-15/16"	3-7/8"
F	2-1/16"	2-1/16"	2-1/16"	2-1/16"	2-1/16"
<b>B (2,500 PSI)</b>	2-3/4"	3-1/8"	3-3/4"	4-1/2"	5-1/8"
H	1-1/8"	1-1/8"	1-1/8"	1-1/8"	1-1/8"
H1	1-1/8"	1-1/8"	1-1/8"	1-1/8"	1-1/8"
K	2-1/2"	2-1/2"	2-5/8"	2-5/8"	2-5/8"
K1	2-1/2"	2-1/2"	2-5/8"	2-5/8"	2-5/8"
E	2"	2"	2"	2"	2-1/4"
D	2"	2"	2"	2-1/4"	2-1/4"
<b>C (2,500 PSI)</b>	1-1/64"	1-1/64"	1-1/64"	1-1/64"	1-1/64"
Port	3/8"	3/8"	1/2"	1/2"	1/2"
T	3/8"	3/8"	1/2"	5/8"	5/8"
M	1-1/8-12 UNF	1-1/8-12UNF	1-1/4-12UNF	1-1/4-12UNF	1-1/4-12UNF

### ASAE

Bore	2.00"	2.50"	3.00"	3.50"	4.00"
<b>A ASAE-8</b>	12-1/4"	12-1/4"	12-1/4"	12-1/4"	12-1/4"
<b>A ASAE-16</b>	15-1/2"	15-1/2"	15-1/2"	15-1/2"	15-1/2"
<b>G ASAE-8</b>	6-3/16"	6-3/16"	5-15/16"	5-15/16"	5-7/8"
<b>G ASAE-16</b>	9-7/16"	9-7/16"	9-3/16"	9-3/16"	9-1/8"
<b>C ASAE-8</b>	1-1/64"	1-1/64"	1-1/64"	1-1/64"	1-1/64"
<b>C ASAE-16</b>	1-17/64"	1-17/64"	1-17/64"	1-17/64"	1-17/64"