

### WELDED TEE HYDRAULIC CYLINDER - 3000PSI

- Double acting application
- 3,000 PSI model is designed to withstand shock loads of up to 6,000 PSI
- Cross tube mounting end
- Ideal for agricultural and industrial application
- Customized welded cylinder can be made by request



#### 1.5" Bore Cylinder

Item No.	Bore	Stroke	Shaft	Retracted Length	Ports	Pin Dia	Weight
W30150808-CTCT	1.5"	8"	1"	16"	SAE-6	3/4"	9.0 lbs
W30151008-CTCT	1.5"	10"	1"	18"	SAE-6	3/4"	10.0 lbs
W30151208-CTCT	1.5"	12"	1"	20"	SAE-6	3/4"	11.0 lbs
W30151408-CTCT	1.5"	14"	1"	22"	SAE-6	3/4"	12.0 lbs
W30151608-CTCT	1.5"	16"	1"	24"	SAE-6	3/4"	13.0 lbs
W30151808-CTCT	1.5"	18"	1"	26"	SAE-6	3/4"	14.0 lbs
W30152008-CTCT	1.5"	20"	1"	28"	SAE-6	3/4"	15.0 lbs
W30152408-CTCT	1.5"	24"	1"	32"	SAE-6	3/4"	17.0 lbs
W30153008-CTCT	1.5"	30"	1"	38"	SAE-6	3/4"	19.0 lbs
W30153608-CTCT	1.5"	36"	1"	44"	SAE-6	3/4"	21.0 lbs
W30154008-CTCT	1.5"	40"	1"	48"	SAE-6	3/4"	23.0 lbs
W30154808-CTCT	1.5"	48"	1"	56"	SAE-6	3/4"	25.0 lbs

#### 2" Bore Cylinder

Item No.	Bore	Stroke	Shaft	Retracted Length	Ports	Pin Dia	Weight
W30200809-CTCT	2"	8"	1-1/8"	16"	SAE-6	1"	13.0 lbs
W30201009-CTCT	2"	10"	1-1/8"	18"	SAE-6	1"	14.2 lbs
W30201209-CTCT	2"	12"	1-1/8"	20"	SAE-6	1"	15.4 lbs
W30201409-CTCT	2"	14"	1-1/8"	22"	SAE-6	1"	16.6 lbs
W30201609-CTCT	2"	16"	1-1/8"	24"	SAE-6	1"	17.8 lbs
W30201809-CTCT	2"	18"	1-1/8"	26"	SAE-6	1"	19.0 lbs
W30202009-CTCT	2"	20"	1-1/8"	28"	SAE-6	1"	20.2 lbs
W30202409-CTCT	2"	24"	1-1/8"	32"	SAE-6	1"	22.6 lbs
W30203010-CTCT	2"	30"	1-1/4"	38"	SAE-6	1"	27.0 lbs
W30203610-CTCT	2"	36"	1-1/4"	44"	SAE-6	1"	32.0 lbs
W30204010-CTCT	2"	40"	1-1/4"	48"	SAE-6	1"	42.0 lbs
W30204810-CTCT	2"	48"	1-1/4"	56"	SAE-6	1"	49.0 lbs

#### 2-1/2" Bore Cylinder

Item No.	Bore	Stroke	Shaft	Retracted Length	Ports	Pin Dia	Weight
W30250810-CTCT	2-1/2"	8"	1-1/4"	16"	SAE-8	1"	16.0 lbs
W30251010-CTCT	2-1/2"	10"	1-1/4"	18"	SAE-8	1"	17.5 lbs
W30251210-CTCT	2-1/2"	12"	1-1/4"	20"	SAE-8	1"	19.0 lbs
W30251410-CTCT	2-1/2"	14"	1-1/4"	22"	SAE-8	1"	20.5 lbs
W30251610-CTCT	2-1/2"	16"	1-1/4"	24"	SAE-8	1"	23.0 lbs
W30251810-CTCT	2-1/2"	18"	1-1/4"	26"	SAE-8	1"	24.5 lbs
W30252010-CTCT	2-1/2"	20"	1-1/4"	28"	SAE-8	1"	26.0 lbs
W30252410-CTCT	2-1/2"	24"	1-1/4"	32"	SAE-8	1"	29.0 lbs
W30253012-CTCT	2-1/2"	30"	1-1/2"	38"	SAE-8	1"	36.0 lbs
W30253612-CTCT	2-1/2"	36"	1-1/2"	44"	SAE-8	1"	43.0 lbs
W30254012-CTCT	2-1/2"	40"	1-1/2"	48"	SAE-8	1"	55.0 lbs
W30254812-CTCT	2-1/2"	48"	1-1/2"	56"	SAE-8	1"	63.0 lbs

### 3" Bore Cylinder

Item No.	Bore	Stroke	Shaft	Retracted Length	Ports	Pin Dia	Weight
W30300812-CTCT	3"	8"	1-1/2"	16"	SAE-8	1"	23.0 lbs
W30301012-CTCT	3"	10"	1-1/2"	18"	SAE-8	1"	25.3 lbs
W30301212-CTCT	3"	12"	1-1/2"	20"	SAE-8	1"	27.5 lbs
W30301412-CTCT	3"	14"	1-1/2"	22"	SAE-8	1"	29.8 lbs
W30301612-CTCT	3"	16"	1-1/2"	24"	SAE-8	1"	32.1 lbs
W30301812-CTCT	3"	18"	1-1/2"	26"	SAE-8	1"	34.4 lbs
W30302012-CTCT	3"	20"	1-1/2"	28"	SAE-8	1"	36.7 lbs
W30302412-CTCT	3"	24"	1-1/2"	32"	SAE-8	1"	41.3 lbs
W30303012-CTCT	3"	30"	1-1/2"	38"	SAE-8	1"	48.2 lbs
W30303612-CTCT	3"	36"	1-1/2"	44"	SAE-8	1"	55.1 lbs
W30304012-CTCT	3"	40"	1-1/2"	48"	SAE-8	1"	66.0 lbs
W30304812-CTCT	3"	48"	1-1/2"	56"	SAE-8	1"	78.0 lbs

### 3-1/2" Bore Cylinder

Item No.	Bore	Stroke	Shaft	Retracted Length	Ports	Pin Dia	Weight
W30350814-CTCT	3-1/2"	8"	1-3/4"	16"	SAE-8	1"	34.0 lbs
W30351014-CTCT	3-1/2"	10"	1-3/4"	18"	SAE-8	1"	37.0 lbs
W30351214-CTCT	3-1/2"	12"	1-3/4"	20"	SAE-8	1"	40.0 lbs
W30351414-CTCT	3-1/2"	14"	1-3/4"	22"	SAE-8	1"	43.0 lbs
W30351614-CTCT	3-1/2"	16"	1-3/4"	24"	SAE-8	1"	46.0 lbs
W30351814-CTCT	3-1/2"	18"	1-3/4"	26"	SAE-8	1"	49.0 lbs
W30352014-CTCT	3-1/2"	20"	1-3/4"	28"	SAE-8	1"	52.0 lbs
W30352414-CTCT	3-1/2"	24"	1-3/4"	32"	SAE-8	1"	56.0 lbs
W30353014-CTCT	3-1/2"	30"	1-3/4"	36"	SAE-8	1"	66.0 lbs
W30353614-CTCT	3-1/2"	36"	1-3/4"	44"	SAE-8	1"	76.0 lbs
W30354014-CTCT	3-1/2"	40"	1-3/4"	50"	SAE-8	1"	87.0 lbs
W30354814-CTCT	3-1/2"	48"	1-3/4"	58"	SAE-8	1"	98.0 lbs

### 4" Bore Cylinder

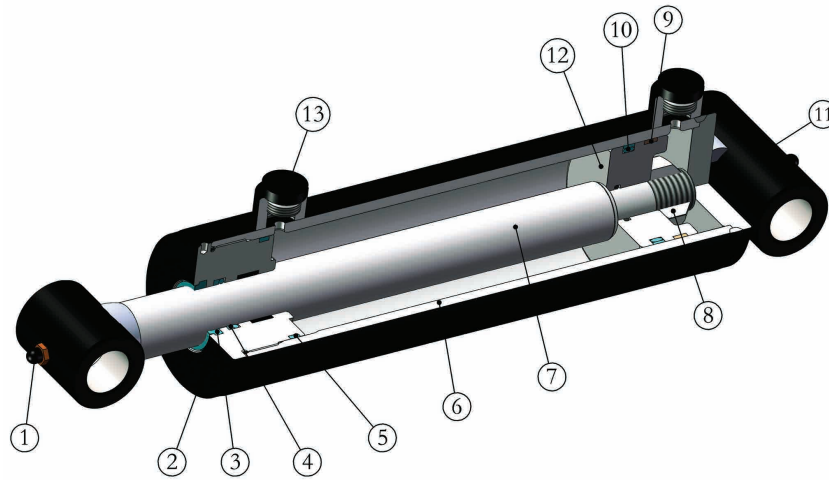
Item No.	Bore	Stroke	Shaft	Retracted Length	Ports	Pin Dia	Weight
W30400816-CTCT	4"	8"	2"	16"	SAE-8	1"	38.0 lbs
W30401016-CTCT	4"	10"	2"	18"	SAE-8	1"	42.0 lbs
W30401216-CTCT	4"	12"	2"	20"	SAE-8	1"	46.0 lbs
W30401416-CTCT	4"	14"	2"	22"	SAE-8	1"	50.0 lbs
W30401616-CTCT	4"	16"	2"	24"	SAE-8	1"	54.0 lbs
W30401816-CTCT	4"	18"	2"	26"	SAE-8	1"	58.0 lbs
W30402016-CTCT	4"	20"	2"	28"	SAE-8	1"	62.0 lbs
W30402416-CTCT	4"	24"	2"	32"	SAE-8	1"	70.0 lbs
W30403016-CTCT	4"	30"	2"	38"	SAE-8	1"	82.0 lbs
W30403616-CTCT	4"	36"	2"	44"	SAE-8	1"	94.0 lbs
W30404016-CTCT	4"	40"	2"	50"	SAE-8	1"	99.0 lbs
W30404816-CTCT	4"	48"	2"	58"	SAE-8	1"	118.0 lbs

### 5" Bore Cylinder

Item No.	Bore	Stroke	Shaft	Retracted Length	Ports	Pin Dia	Weight
W30500820-CTCT	5"	8"	2-1/2"	18"	SAE-12	1-1/4"	61.0 lbs
W30501020-CTCT	5"	10"	2-1/2"	20"	SAE-12	1-1/4"	66.0 lbs
W30501220-CTCT	5"	12"	2-1/2"	22"	SAE-12	1-1/4"	71.0 lbs
W30501420-CTCT	5"	14"	2-1/2"	24"	SAE-12	1-1/4"	76.0 lbs
W30501620-CTCT	5"	16"	2-1/2"	26"	SAE-12	1-1/4"	81.0 lbs
W30501820-CTCT	5"	18"	2-1/2"	28"	SAE-12	1-1/4"	86.0 lbs
W30502020-CTCT	5"	20"	2-1/2"	30"	SAE-12	1-1/4"	91.0 lbs
W30502420-CTCT	5"	24"	2-1/2"	34"	SAE-12	1-1/4"	96.0 lbs
W30503020-CTCT	5"	30"	2-1/2"	40"	SAE-12	1-1/4"	111.0 lbs
W30503620-CTCT	5"	36"	2-1/2"	46"	SAE-12	1-1/4"	129.0 lbs
W30504020-CTCT	5"	40"	2-1/2"	52"	SAE-12	1-1/4"	141.0 lbs
W30504820-CTCT	5"	48"	2-1/2"	60"	SAE-12	1-1/4"	159.0 lbs

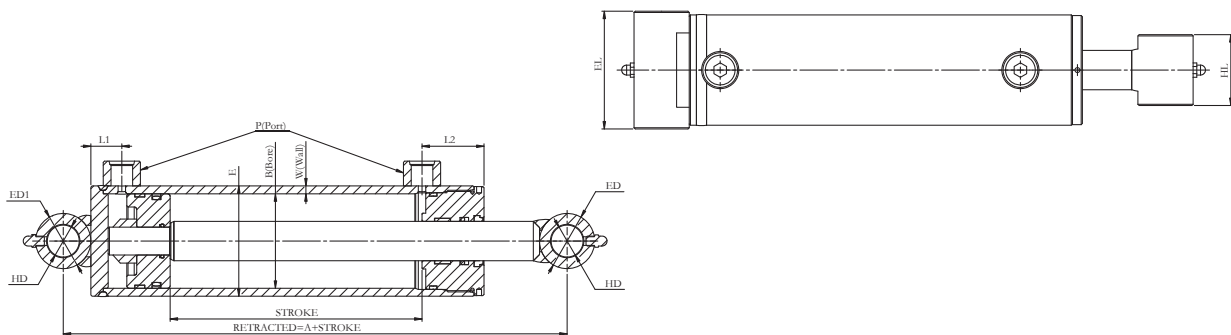
Note: Port SAE, NPT is available.

### WELDED TEE SERIES HYDRAULIC CYLINDER - 3000PSI



#### Part List

Item No.	Component	Material and feature	Qty
1	Rod end	Ductile iron provides excellent ductility and higher impact	1
2	Rod cap		1
3	Rod wiper	Heavy duty metal encased nitrile prevents contaminants from entering cylinder.	1
4	Rod seal	Polyurethane u-cup double lip provides positive seal.	1
5	Tube seal	90 durometer polyurethane "o" ring provides excellent sealing under high pressure	1
6	Cylinder tube	Honed tube provides better ductility	1
7	Piston rod	C1045 high strength steel with hard chrome plated and precision ground & polished, 100hr salt spray tested.	1
8	Piston nut	Heavy duty and high tensile steel holds piston in place under high cycle loading.	1
9	Tube seal	90 durometer polyurethane "o" ring provides excellent sealing under high pressure	1
10	Piston seal		1
11	Base end	Ductile iron provides excellent ductility and higher impact	1
12	Piston	Precision machined ductile iron provides a malleable bearing surface for extended cylinder life.	1
13	Plug	Metal plug	2



Bore	1.50"	2.00"	2.50"	3.00"	3.50"	4.00"	5.00"
A	8"	8"	8"	8"	8"	8"	10"
E	2"	2-1/2"	3"	3-1/2"	4"	4-1/2"	5-1/2"
HL	1-1/2"	2"	2"	2"	2-1/2"	4"	4"
EL	2-1/4"	2-3/4"	3-1/4"	3-3/4"	4-1/4"	4-3/4"	5-3/4"
ED	1-1/2"	1-3/4"	1-3/4"	1-3/4"	2"	2"	2-1/4"
ED1	1-1/2"	1-3/4"	1-3/4"	1-3/4"	2"	2"	2-1/4"
HD	49/64"	1-1/64"	1-1/64"	1-1/64"	1-1/64"	1-1/64"	1-17/64"
L1	1"	1"	1"	1"	1-1/8"	1-1/8"	1-3/16"
L2	1-13/16"	1-14/16"	1-15/16"	1-15/16"	2-15/16"	2-15/16"	2-3/8"