

## HEAVY-DUTY BIG BORE WELDED CYLINDER - 3000PSI GLAND COLLAR DESIGN

### DESIGNATION SAMPLE

**WG30 - 50 08 20 CT BL**

**WG30**

**3,000 PSI WELDED HYDRAULIC CYLINDER WITH GLAND COLLAR DESIGN**

**50**

**CYLINDER BORE 50,60,80 (EX.50=5.0")**

**08**

**CYLINDER STROKE IN INCH**

**20**

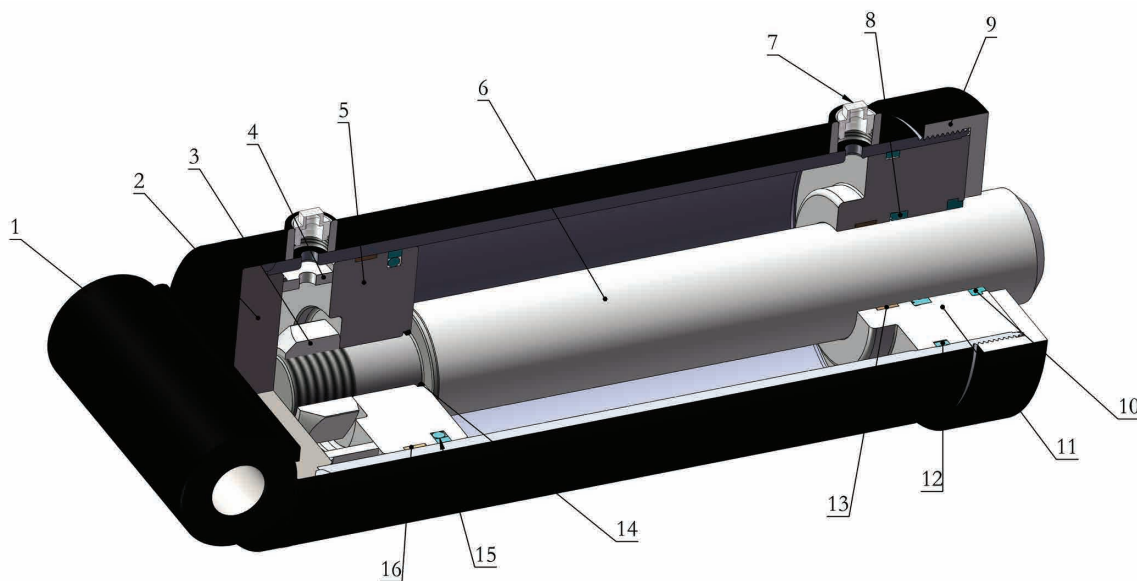
**SHAFT DIAMETER 20,24,32 (EX.20=2.5"=20/8")**

**CT**

**BASE END CT(CT=CROSS TUBE)**

**BL**

**ROD END IS BLANK**

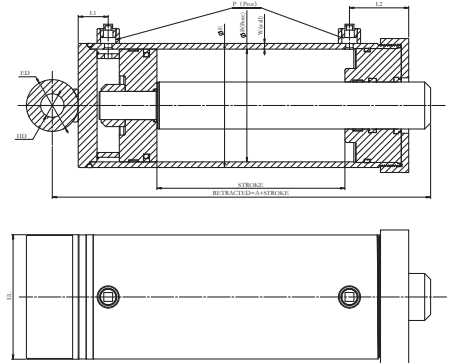


### Part List

Item No.	Component	Material and feature	Q'ty
1	Base end	Ductile iron provides excellent ductility and higher impact	1
2	Cylinder tube	Honed tube provides better ductility	1
3	Piston nut	Heavy duty and high tensile steel holds piston in place under high cycle loading	1
4	Back-up	NBR material	1
5	Piston	Precision machined ductile iron provides a malleable bearing surface for extended cylinder life.	1
6	Piston rod	C1045 high strength steel with hard chrome plated and precision ground & polished, 100hr salt spray tested.	1
7	Plug	Metal plug	2
8	Rod seal	Polyurethane u-cup double lip provides positive seal.	1
9	Collar gland	Ductile iron provides excellent ductility and higher impact	1
10	Rod wiper	Heavy duty metal encased nitrile prevents contaminants from entering cylinder.	1
11	Rod cap	Ductile iron provides excellent ductility and higher impact	1
12	Tube seal	90 durometer polyurethane "o" ring provides excellent sealing under high pressure	1
13	Back-up ring	F4 bronze composite material provides stronger sealing	1
14	O-ring	90 durometer polyurethane "o" ring prevents leakage from cylinder	1
15	Piston seal		1
16	Back-up ring	F4 bronze composite material provides stronger sealing	1

### HEAVY-DUTY BIG BORE WELDED CYLINDER - 3000PSI GLAND COLLAR DESIGN

- Double acting application
- 3,000 PSI model is designed to withstand shock loads of up to 6,000 PSI
- Durable ductile iron cast components
- Heavy-duty welded construction with gland collar design
- Ideal for agricultural and industrial application
- Customized welded cylinder can be made by request



#### 5" Bore Cylinder

Item No.	Bore	Stroke	Shaft	Retracted Length	Ports	Pin Dia	Weight
WG30500820	5"	8"	2.5"	19"	3/4 NPT	1 1/2"	75.0 lbs
WG30501220	5"	12"	2.5"	23"	3/4 NPT	1 1/2"	85.0 lbs
WG30501420	5"	14"	2.5"	25"	3/4 NPT	1 1/2"	88.0 lbs
WG30501620	5"	16"	2.5"	27"	3/4 NPT	1 1/2"	90.0 lbs
WG30501820	5"	18"	2.5"	29"	3/4 NPT	1 1/2"	98.0 lbs
WG30502020	5"	20"	2.5"	31"	3/4 NPT	1 1/2"	105.0 lbs
WG30502420	5"	24"	2.5"	35"	3/4 NPT	1 1/2"	115.0 lbs
WG30503020	5"	30"	2.5"	41"	3/4 NPT	1 1/2"	130.0 lbs
WG30503620	5"	36"	2.5"	47"	3/4 NPT	1 1/2"	145.0 lbs
WG30504820	5"	48"	2.5"	61"	3/4 NPT	1 1/2"	180.0 lbs
WG30506020	5"	60"	2.5"	75"	3/4 NPT	1 1/2"	215.0 lbs
WG30507220	5"	72"	2.5"	89"	3/4 NPT	1 1/2"	255.0 lbs

#### 6" Bore Cylinder

Item No.	Bore	Stroke	Shaft	Retracted Length	Ports	Pin Dia	Weight
WG30600824	6"	8"	3"	19"	3/4 NPT	1 1/2"	100.0 lbs
WG30601224	6"	12"	3"	23"	3/4 NPT	1 1/2"	110.0 lbs
WG30601624	6"	16"	3"	27"	3/4 NPT	1 1/2"	125.0 lbs
WG30601824	6"	18"	3"	29"	3/4 NPT	1 1/2"	133.0 lbs
WG30602024	6"	20"	3"	31"	3/4 NPT	1 1/2"	140.0 lbs
WG30602424	6"	24"	3"	35"	3/4 NPT	1 1/2"	150.0 lbs
WG30603024	6"	30"	3"	41"	3/4 NPT	1 1/2"	170.0 lbs
WG30603624	6"	36"	3"	47"	3/4 NPT	1 1/2"	190.0 lbs
WG30604824	6"	48"	3"	61"	3/4 NPT	1 1/2"	240.0 lbs
WG30605424	6"	54"	3"	68"	3/4 NPT	1 1/2"	265.0 lbs
WG30606024	6"	60"	3"	75"	3/4 NPT	1 1/2"	290.0 lbs
WG30607224	6"	72"	3"	89"	3/4 NPT	1 1/2"	321.0 lbs

#### 8" Bore Cylinder

Item No.	Bore	Stroke	Shaft	Retracted Length	Ports	Pin Dia	Weight
WG30800832	8"	8"	4"	124"	#16 SAE	2 1/2"	250.0 lbs
WG30801232	8"	12"	4"	28"	#16 SAE	2 1/2"	275.0 lbs
WG30801632	8"	16"	4"	32"	#16 SAE	2 1/2"	300.0 lbs
WG30802032	8"	20"	4"	36"	#16 SAE	2 1/2"	325.0 lbs
WG30802432	8"	24"	4"	40"	#16 SAE	2 1/2"	350.0 lbs
WG30803032	8"	30"	4"	46"	#16 SAE	2 1/2"	385.0 lbs
WG30803632	8"	36"	4"	52"	#16 SAE	2 1/2"	425.0 lbs
WG30804832	8"	48"	4"	66"	#16 SAE	2 1/2"	500.0 lbs
WG30805432	8"	54"	4"	73"	#16 SAE	2 1/2"	540.0 lbs
WG30806032	8"	60"	4"	80"	#16 SAE	2 1/2"	580.0 lbs