

HR87X | HEAVY-DUTY POWER-DRIVEN HOSE REEL (With Motor & Hose)

- Maintenance-free sealed gearbox to fit various harsh environments.
- Flexible combination with reels and accessories to reduce inventory cost.
- Modular design for different scenario & application.
- Different hoses can be selected according to different fluid.
- Quick lock mechanism improves work efficiency and safety.



CE PATENTED



The valve inlet and outlet are connected via an adapter to connect to various diameters of hose easily

User-Friendly design with a manual drum locker mechanism to secure the hose from rewinding



Application:
Construction/Mining/Agriculture/Oil Distribution/Truck/Fleet/Automotive/Fluid Transportation



Modular reel, allowing selection of different types of hose and extension reels to meet different application

Maintenance-free transmission module that can be directly connected to the air motor

Stamping base to enhance the strength and durability

Modular design can be easily changed from the bottom to the top

User friendly wrench is included



HR87X | HEAVY-DUTY POWER-DRIVEN HOSE REEL (With Motor & Hose)

Air/Water

Item No.	Hose I.D.	Hose Length	Working Pressure	Inlet/Outlet	Hose Material	Package	Weight	Q'TY 20'CY
HR8761.11154	1/2"	100ft.	300 psi	1/2" NPS(M) / NPT(M)	NBR Rubber	28.35"x22.64"x32.28"	93.3kg/205.69lb	64pcs
HR8761.31154	1/2"	30m	20 bar	1/2" BSP(M) / BSPT(M)	NBR Rubber	720x575x820mm	69.0kg/152.12lb	64pcs
HR8761.11254	3/4"	100ft.	300 psi	3/4" NPS(M) / NPT(M)	NBR Rubber	28.35"x22.64"x32.28"	98.0kg/216.05lb	64pcs
HR8761.31254	3/4"	30m	20 bar	3/4" BSP(M) / BSPT(M)	NBR Rubber	720x575x820mm	73.7kg/162.48lb	64pcs
HR8761.11324	1"	50ft.	300 psi	1" NPS(M) / NPT(M)	NBR Rubber	28.35"x22.64"x32.28"	93.5kg/206.13lb	64pcs
HR8761.31324	1"	15m	20 bar	1" BSP(M) / BSPT(M)	NBR Rubber	720x575x820mm	69.2kg/152.56lb	64pcs
HR8762.11354	1"	100ft.	300 psi	1" NPS(M) / NPT(M)	NBR Rubber	28.35"x25.98"x32.28"	109.1kg/240.52lb	48pcs
HR8762.31354	1"	30m	20 bar	1" BSP(M) / BSPT(M)	NBR Rubber	720x660x820mm	82.1kg/181.00lb	48pcs

Oil

Item No.	Hose I.D.	Hose Length	Working Pressure	Inlet/Outlet	Hose Material	Package	Weight	Q'TY 20'CY
HR8761.11158	1/2"	100ft.	2320 psi	1/2" NPS(M) / NPT(M)	S.A.E.100R1	28.35"x22.64"x32.28"	96.5kg/212.75lb	64pcs
HR8761.31158	1/2"	30m	160 bar	1/2" BSP(M) / BSPT(M)	S.A.E.100R1	720x575x820mm	72.2kg/159.17lb	64pcs
HR8761.11258	3/4"	100ft.	1530 psi	3/4" NPS(M) / NPT(M)	S.A.E.100R1	28.35"x22.64"x32.28"	102.9kg/226.86lb	64pcs
HR8761.31258	3/4"	30m	105 bar	3/4" BSP(M) / BSPT(M)	S.A.E.100R1	720x575x820mm	78.6kg/173.28lb	64pcs
HR8761.11328	1"	50ft.	1260 psi	1" NPS(M) / NPT(M)	S.A.E.100R1	28.35"x22.64"x32.28"	96.8kg/213.41lb	64pcs
HR8761.31328	1"	15m	87 bar	1" BSP(M) / BSPT(M)	S.A.E.100R1	720x575x820mm	72.5kg/159.83lb	64pcs
HR8762.11358	1"	100ft.	1260 psi	1" NPS(M) / NPT(M)	S.A.E.100R1	28.35"x25.98"x32.28"	112.8kg/248.68lb	48pcs
HR8762.31358	1"	30m	87 bar	1" BSP(M) / BSPT(M)	S.A.E.100R1	720x660x820mm	85.8kg/189.16lb	48pcs

Diesel

Item No.	Hose I.D.	Hose Length	Working Pressure	Inlet/Outlet	Hose Material	Package	Weight	Q'TY 20'CY
HR8761.11254	3/4"	100ft.	300 psi	3/4" NPS(M) / NPT(M)	NBR Rubber	28.35"x22.64"x32.28"	98.0kg/216.05lb	64pcs
HR8761.31254	3/4"	30m	20 bar	3/4" BSP(M) / BSPT(M)	NBR Rubber	720x575x820mm	73.7kg/162.48lb	64pcs
HR8761.11324	1"	50ft.	300 psi	1" NPS(M) / NPT(M)	NBR Rubber	28.35"x22.64"x32.28"	93.5kg/206.13lb	64pcs
HR8761.31324	1"	15m	20 bar	1" BSP(M) / BSPT(M)	NBR Rubber	720x575x820mm	69.2kg/152.56lb	64pcs
HR8762.11354	1"	100ft.	300 psi	1" NPS(M) / NPT(M)	NBR Rubber	28.35"x25.98"x32.28"	109.0kg/240.30lb	48pcs
HR8762.31354	1"	30m	20 bar	1" BSP(M) / BSPT(M)	NBR Rubber	720x660x820mm	82.0kg/180.78lb	48pcs
HR8762.11534	1 1/2"	65ft.	150 psi	1 1/2" NPS(M) / NPT(M)	NBR Rubber	28.35"x25.98"x32.28"	107.0kg/235.89lb	48pcs
HR8762.31534	1 1/2"	20m	10 bar	1 1/2" BSP(M) / BSPT(M)	NBR Rubber	720x660x820mm	80.0kg/176.37lb	48pcs

Waste Oil

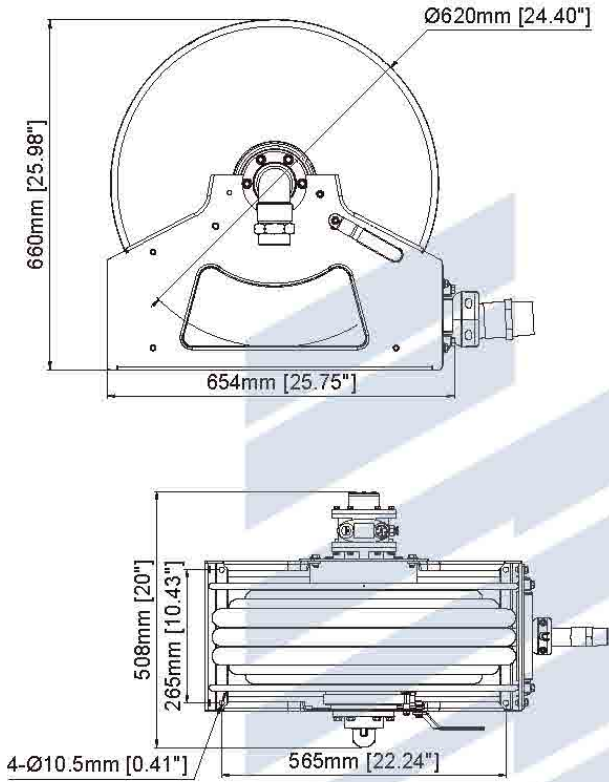
Item No.	Hose I.D.	Hose Length	Working Pressure	Inlet/Outlet	Hose Material	Package	Weight	Q'TY 20'CY
HR8761.11324	1"	50ft.	300 psi	1" NPS(M) / NPT(M)	NBR Rubber	28.35"x22.64"x32.28"	93.5kg/206.13lb	64pcs
HR8761.31324	1"	15m	20 bar	1" BSP(M) / BSPT(M)	NBR Rubber	720x575x820mm	69.2kg/152.56lb	64pcs
HR8762.11534	1 1/2"	65ft.	150 psi	1 1/2" NPS(M) / NPT(M)	NBR Rubber	28.35"x25.98"x32.28"	107.0kg/235.89lb	48pcs
HR8762.31534	1 1/2"	20m	10 bar	1 1/2" BSP(M) / BSPT(M)	NBR Rubber	720x660x820mm	80.0kg/176.37lb	48pcs

Accessories For HR8761/HR8762 With Motor With Hose (Optional)

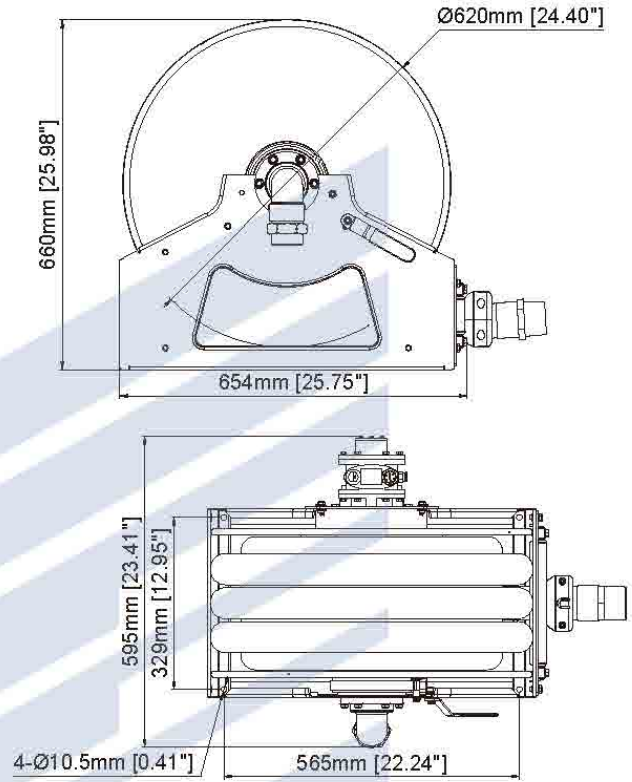
Air Motor Module	Air Control Valve Module	Filter/Regulator/Lubricator Combination	Upper Hose Guide Kit
 <p>Quick Connector (Fit for 10mm O.D. Hose) Item No.: RRP8701.111</p>	 <p>Quick Connector (Fit for 10mm O.D. Hose) Item No.: RRP8721.111</p>	 <p>Filter Precision: 40µ Inlet/Outlet: 3/8" Item No.: BFC3000</p>	 <p>Item No.: RRP8712.001</p>

HR87X | HEAVY-DUTY POWER-DRIVEN HOSE REEL (With Motor & Hose)

HR8761



HR8762



HR87X | HEAVY-DUTY POWER-DRIVEN BARE REEL (With Motor W/O Hose)

- Maintenance-free sealed gearbox to fit various harsh environments.
- Flexible combination with reels and accessories to reduce inventory cost.
- Modular design for different scenario & application.
- Different hoses can be selected according to different fluid.
- Quick lock mechanism improves work efficiency and safety.



CE PATENTED



The valve inlet and outlet are connected via an adapter to connect to various diameters of hose easily

User-Friendly design with a manual drum locker mechanism to secure the hose from rewinding



Application:
Construction/Mining/Agriculture/Oil Distribution/Truck/Fleet/Automotive/Fluid Transportation



Modular reel, allowing selection of different types of hose and extension reels to meet different application

Maintenance-free transmission module that can be directly connected to the air motor

Stamping base to enhance the strength and durability

Modular design can be easily changed from the bottom to the top



User friendly wrench is included



HR87X | HEAVY-DUTY POWER-DRIVEN BARE REEL (With Motor W/O Hose)




Air/Water

Item No.	Hose I.D.	Hose Length	Working Pressure	Inlet/Outlet	Fluid	Package	Weight	Q'TY 20'CY
HR8761.11000	1/2"	100ft.	3000 psi	1" NPT(F) / NPT(F)	Air/Water/Oil	28.35"x22.64"x32.28"	74.0kg/163.14lb	64pcs
HR8761.31000	1/2"	30m	207 bar	1" BSPT(F) / BSPT(F)	Air/Water/Oil	720x575x820mm	49.7kg/109.57lb	64pcs
	3/4"	100ft.	3000 psi	1" NPT(F) / NPT(F)	Air/Water/Oil/Diesel	28.35"x22.64"x32.28"	49.7kg/109.57lb	64pcs
	3/4"	30m	207 bar	1" BSPT(F) / BSPT(F)	Air/Water/Oil/Diesel	720x575x820mm	49.7kg/109.57lb	64pcs
	1"	50ft.	3000 psi	1" NPT(F) / NPT(F)	Air/Water/Oil/Diesel/Waste Oil	28.35"x22.64"x32.28"	49.7kg/109.57lb	64pcs
	1"	15m	207 bar	1" BSPT(F) / BSPT(F)	Air/Water/Oil/Diesel/Waste Oil/Grease	720x575x820mm	49.7kg/109.57lb	64pcs
HR8762.11000	1"	100ft.	3000 psi	2" NPT(F) / NPT(F)	Air/Water/Oil/Diesel/Waste Oil	28.35"x25.98"x32.28"	75.5kg/166.45lb	48pcs
HR8762.31000	1"	30m	207 bar	2" BSPT(F) / BSPT(F)	Air/Water/Oil/Diesel/Waste Oil	720x660x820mm	51.2kg/112.88lb	48pcs
	1 1/2"	65ft.	3000 psi	2" NPT(F) / NPT(F)	Diesel/Waste Oil	28.35"x25.98"x32.28"	51.2kg/112.88lb	48pcs
	1 1/2"	20m	207 bar	2" BSPT(F) / BSPT(F)	Diesel/Waste Oil	720x660x820mm	51.2kg/112.88lb	48pcs
	2"	33ft.	3000 psi	2" NPT(F) / NPT(F)	Diesel	28.35"x25.98"x32.28"	51.2kg/112.88lb	48pcs
	2"	10m	207 bar	2" BSPT(F) / BSPT(F)	Diesel	720x660x820mm	51.2kg/112.88lb	48pcs




Accessories For HR8761/HR8762 With Motor W/O Hose (Optional)

Air Motor Module	Air Control Valve Module	Filter/ Regulator/Lubricator Combination
<input type="checkbox"/>  <p>Quick Connector (Fit for 10mm O.D. Hose) Item No.: RRP8701.311</p>	<input type="checkbox"/>  <p>Quick Connector (Fit for 10mm O.D. Hose) Item No.: RRP8721.111</p>	<input type="checkbox"/>  <p>Filter Precision: 40µ Inlet/Outlet: 3/8" Item No.: BFC3000</p>

Accessories For HR8761 With Motor W/O Hose (Must Have)

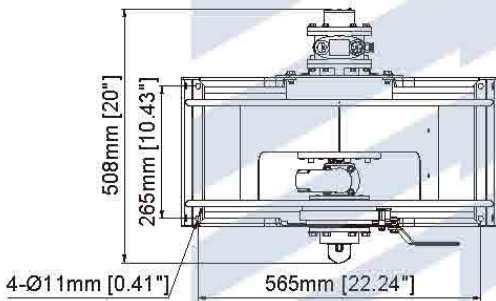
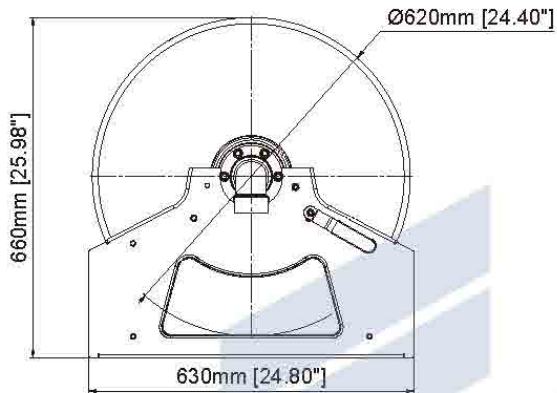
Ball Stop Kit & Adapter (Choose one out of three according to your hose)			Hose Guide Kit (Choose one out of two according to your hose)	
<input type="checkbox"/>  <p>1/2" Hose 1" NPT(M) x 1/2" NPS(M) Item No.: RRP8713.111 1" BSPT(M) x 1/2" BSP(M) Item No.: RRP8713.311</p>	<input type="checkbox"/> <p>3/4" Hose 1" NPT(M) x 3/4" NPS(M) Item No.: RRP8713.122 1" BSPT(M) x 3/4" BSP(M) Item No.: RRP8713.322</p>	<input type="checkbox"/> <p>1" Hose 1" NPT(M) x 1" NPS(M) Item No.: RRP8713.133 1" BSPT(M) x 1" BSP(M) Item No.: RRP8713.333</p>	<input type="checkbox"/>  <p>Lower Hose Guide Kit 1/2" ≤ Hose I.D. ≤ 1" Item No.: RRP8711.111</p>	<input type="checkbox"/>  <p>Upper Hose Guide Kit 1/2" ≤ Hose I.D. ≤ 1" Item No.: RRP8712.111</p>

Accessories For HR8762 With Motor W/O Hose (Must Have)

Ball Stop Kit & Adapter (Choose one out of three according to your hose)			Lower Hose Guide Kit (Choose one out of two according to your hose)	
<input type="checkbox"/>  <p>1" Hose 2" NPT(M) x 1" NPS(M) Item No.: RRP8713.143 2" BSPT(M) x 1" BSP(M) Item No.: RRP8713.343</p>	<input type="checkbox"/> <p>1 1/2" Hose 2" NPT(M) x 1 1/2" NPS(M) Item No.: RRP8713.166 2" BSPT(M) x 1 1/2" BSP(M) Item No.: RRP8713.366</p>	<input type="checkbox"/> <p>2" Hose 2" NPT(M) x 2" NPS(M) Item No.: RRP8713.177 2" BSPT(M) x 2" BSP(M) Item No.: RRP8713.377</p>	<input type="checkbox"/>  <p>1/2" ≤ Hose I.D. ≤ 1" Item No.: RRP8711.211</p>	<input type="checkbox"/> <p>1" ≤ Hose I.D. ≤ 2" Item No.: RRP8711.221</p>
			Upper Hose Guide Kit (Choose one out of two according to your hose)	
			<input type="checkbox"/>  <p>1/2" ≤ Hose I.D. ≤ 1" Item No.: RRP8712.211</p>	<input type="checkbox"/> <p>1" ≤ Hose I.D. ≤ 2" Item No.: RRP8712.221</p>

HR87X | HEAVY-DUTY POWER-DRIVEN BARE REEL (With Motor W/O Hose)

HR8761



HR8762

